

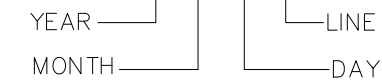
SOLID WORKS GENERATED DRAWING, DON'T CHANGE BY HAND.

RoHS HF

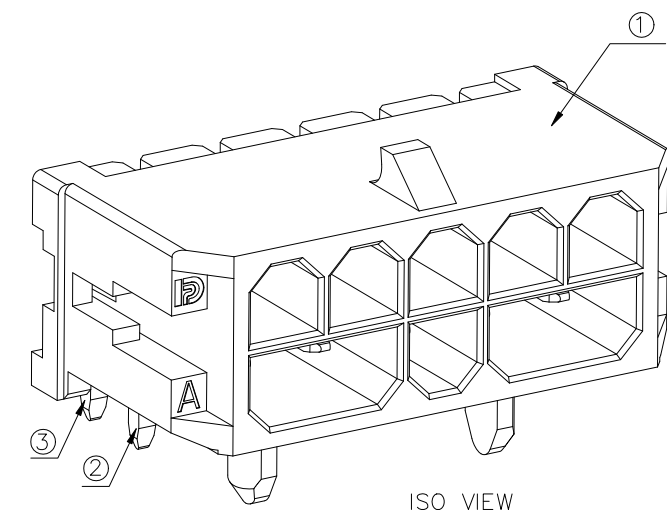
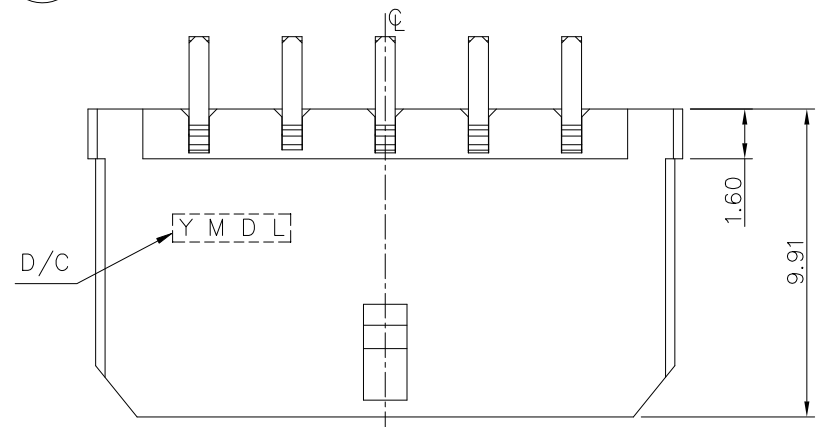
REV.	ECN. NO.	APPD.
A	ECN201201016	Mike.Wu

NOTES:

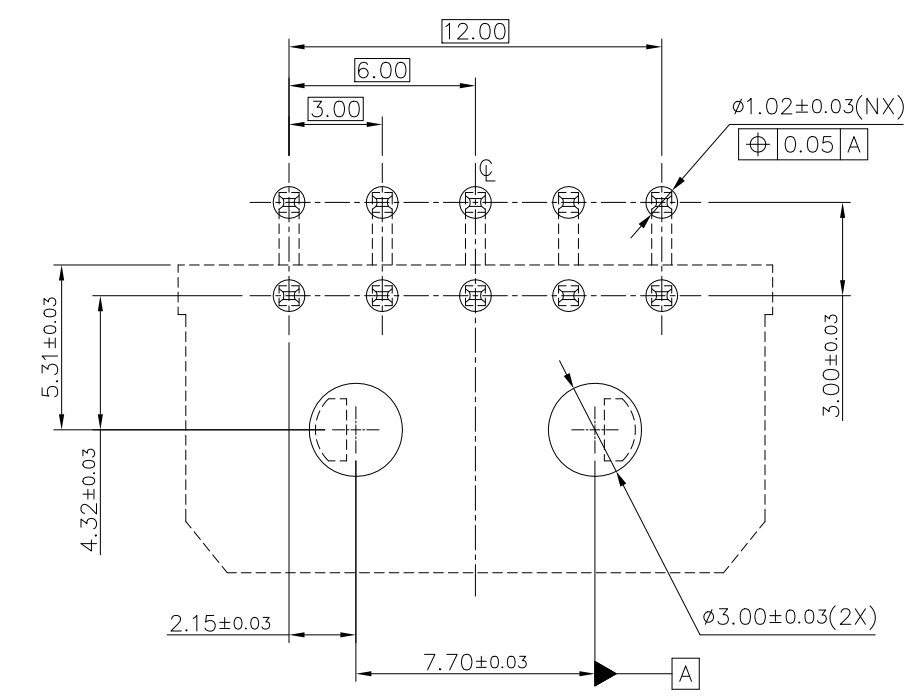
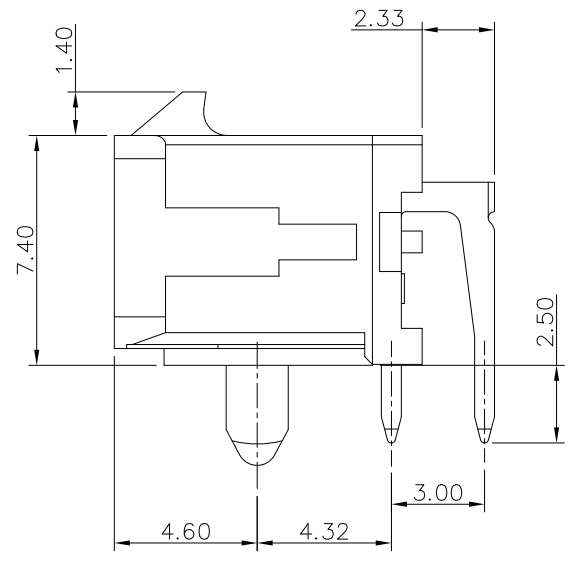
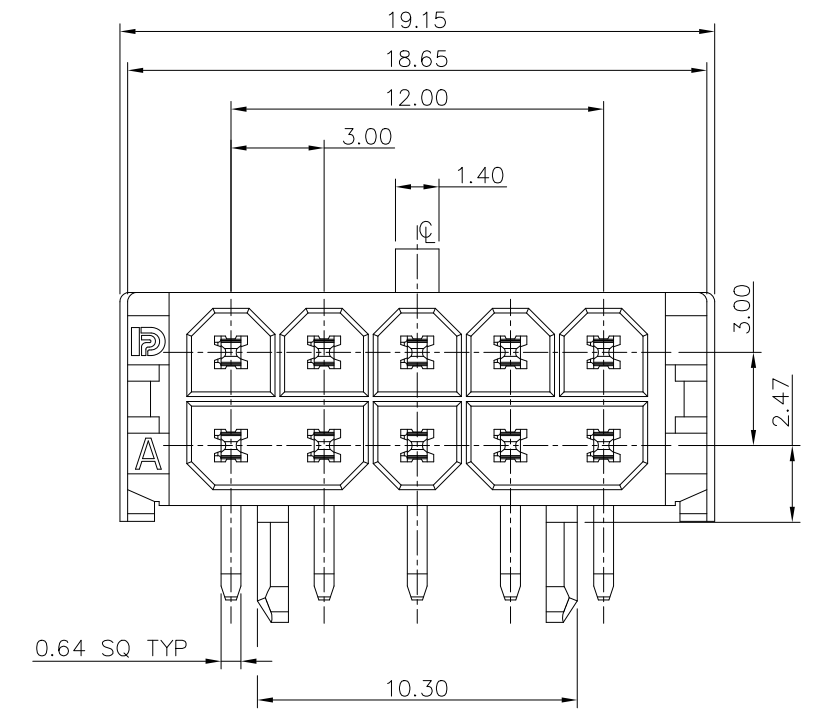
- 1.DIMENSION SHALL BE INTERPRETED PER ASME Y14.5M-1994;
- 2.ELECTRICAL PERFORMANCES:
  - 2-1.INSULATION RESISTANCE: 1000 MΩ MIN;
  - 2-2.DIELECTRIC WITHSTANDING VOLTAGE:1000VAC
3. OPERATING TEMPERATURE : -40°C TO +85°C.
- 4.PLEASE CONTACT DRAPHO SALES REPRESENTATIVE TO VERIFY PRODUCT DETAILS & AVAILABILITY.
- 5.HARMFUL MATERIAL CONTROL SHOULD MEET "DQSP2014".
6. D/C ADOPT LASER : Y M D L



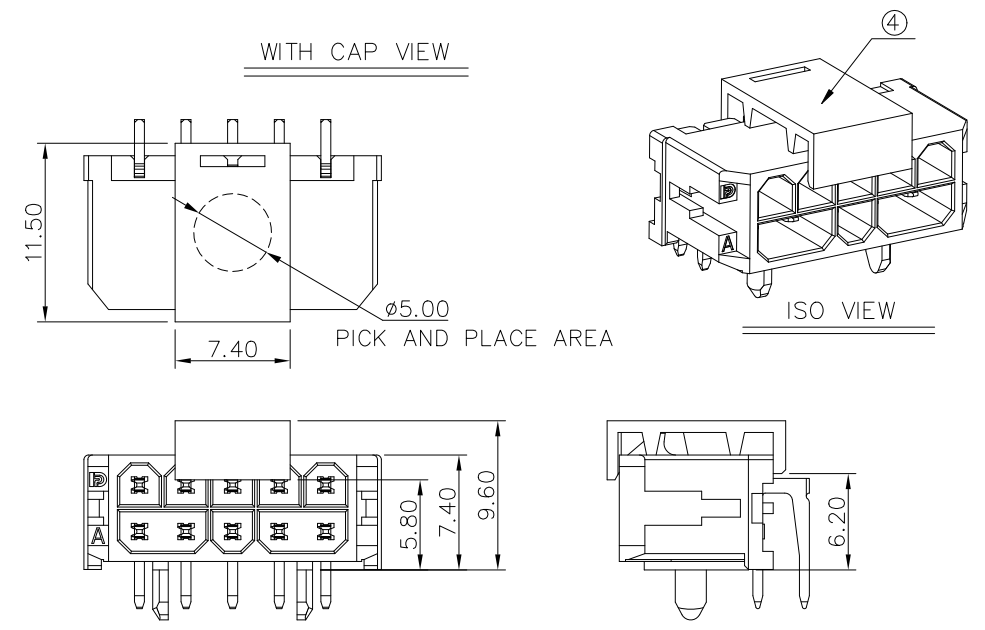
A  
B  
C  
D  
E



ISO VIEW



RECOMMENDED PCB LAYOUT  
TOLERANCE +/-0.03mm



PART NO.  
WSC3100-S3880-1 H

PITCH:  
C=3.00mm

POS.NO  
10=10POS

HALOGEN & LEAD FREE

PACKAGE CODE  
1: CARRIER TAPE

PROFILE HEIGHT:  
88=8.80mm

CONTACT AREA PLATING:  
0=MATTE TIN

④	COVER	HIGHTEMP-PLASTIC	UL94V-0, BLACK	1
③	CONTACT 2	COPPER ALLOY	50u"MIN NICKEL UNDER PLATING 50u"MIN MATTE TIN PLATING OVER ALL;	5
②	CONTACT 1	COPPER ALLOY		5
①	HOUSING	HIGHTEMP-PLASTIC	UL94V-0, BLACK	1
ITEM NO.	NAME	MATERAIL	FINISH	Q'TY
UNITS: mm	GENERAL TOLERANCE		APPROVED: Mike.Wu	PART NO.(INTENDED USE) WSC3100-S3880-1H
DATE: 12/09'20	X. :±0.30 .X :±0.20 .XX :±0.15	X.* :±5.00 .X.* :±3.00 .XX.* :±2.00	CHECKED: Wes.Wu	TITLE: CUSTOMER DRAWING FOR 3.00mmP 8.80mmH BATTERY RECEPTACLE CONN
SCALE: N/A			DRAWING: Beal.Bao	DRAWING NO.: 820-0000-0902
SHEET: 1/3	MATERIAL: SEE TABLE	Q'TY N/A	Highstar Drapo ELECTRONICS TECHNOLOGY CO., LTD	
REV.: A	FINISH: SEE TABLE			

SOLID WORKS GENERATED DRAWING, DON'T CHANGE BY HAND.

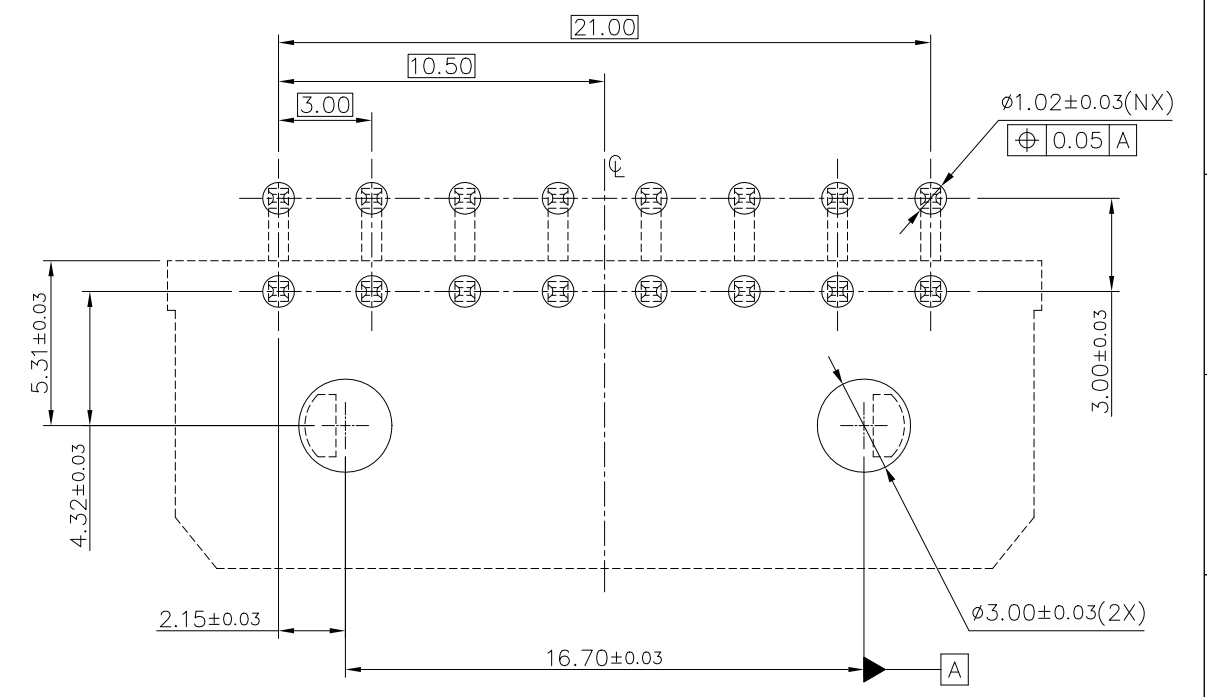
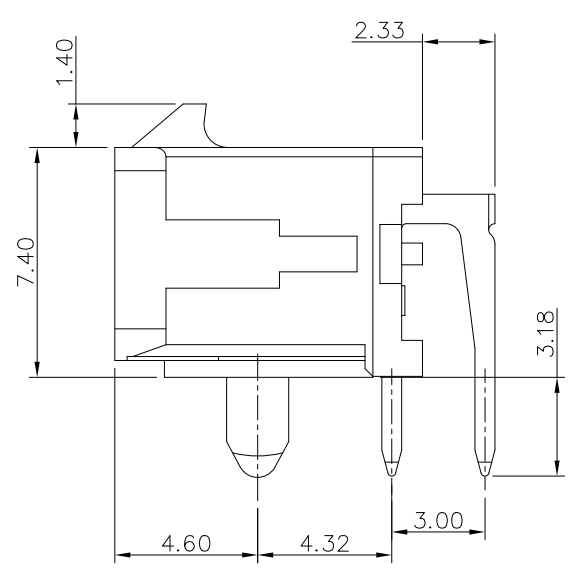
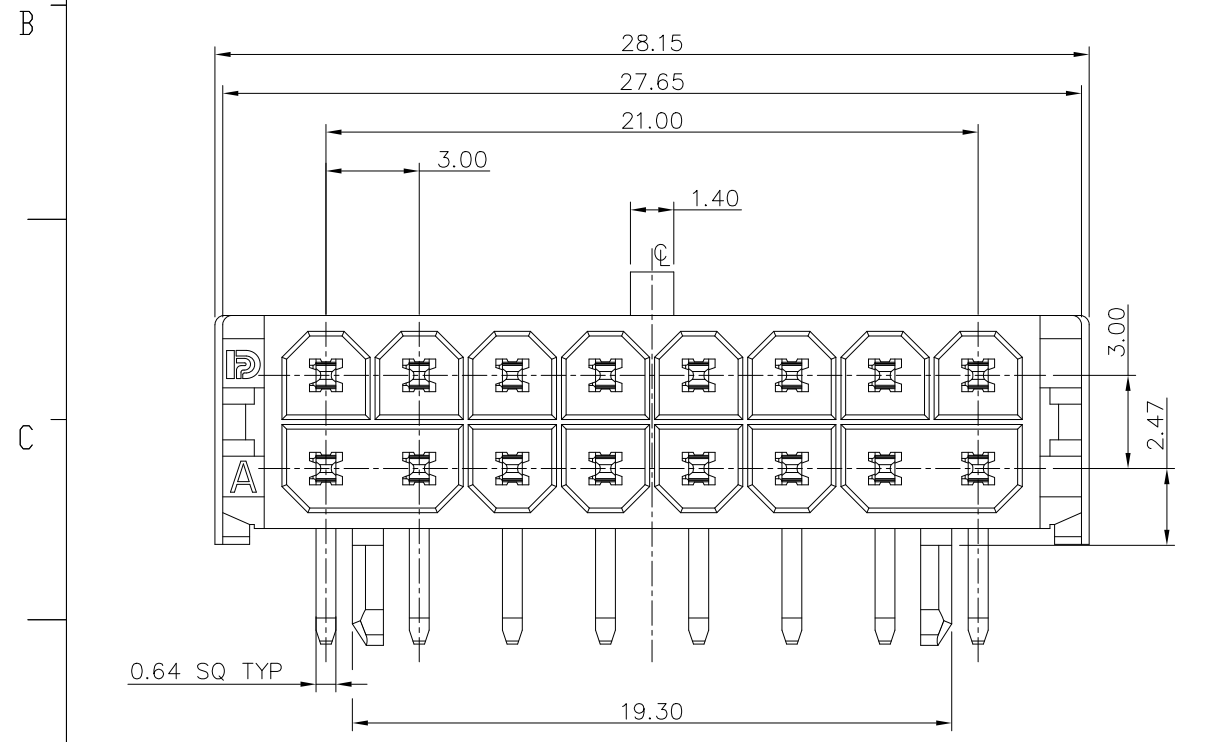
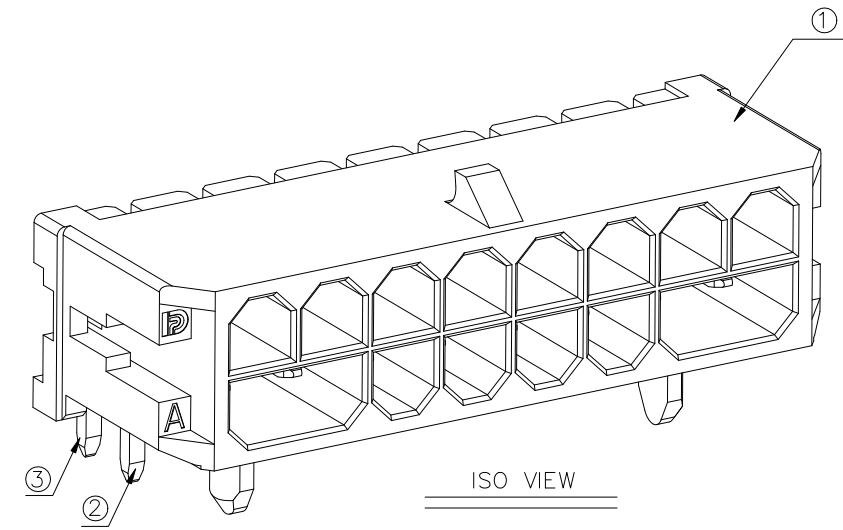
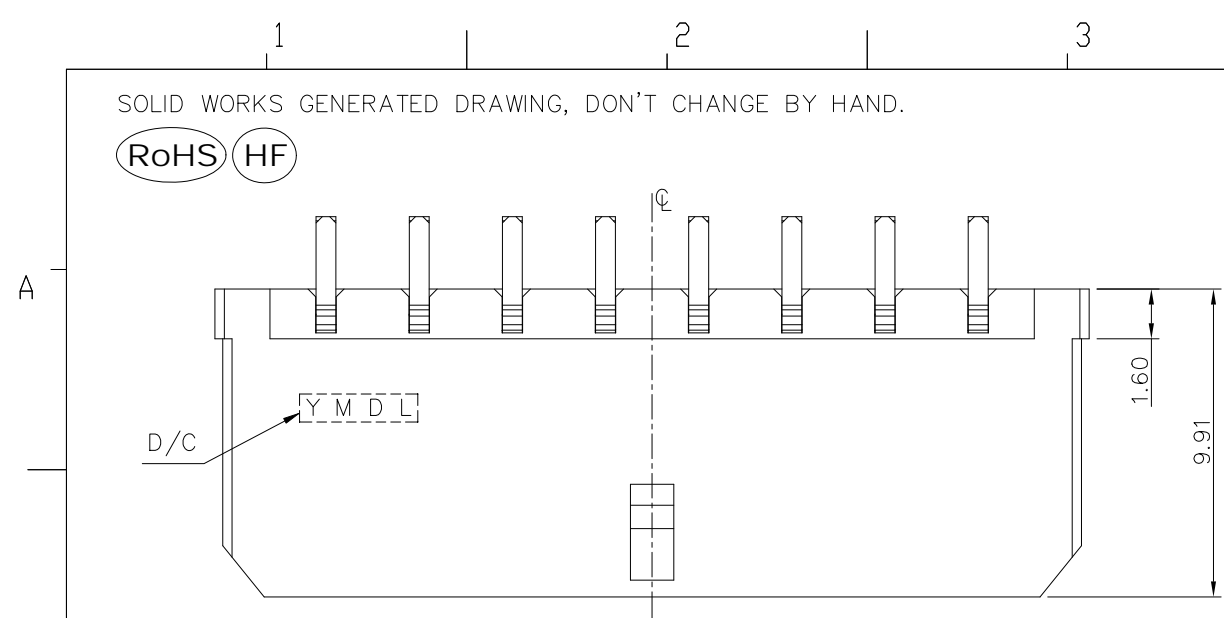
RoHS HF

REV.	ECN. NO.	APPD.
------	----------	-------

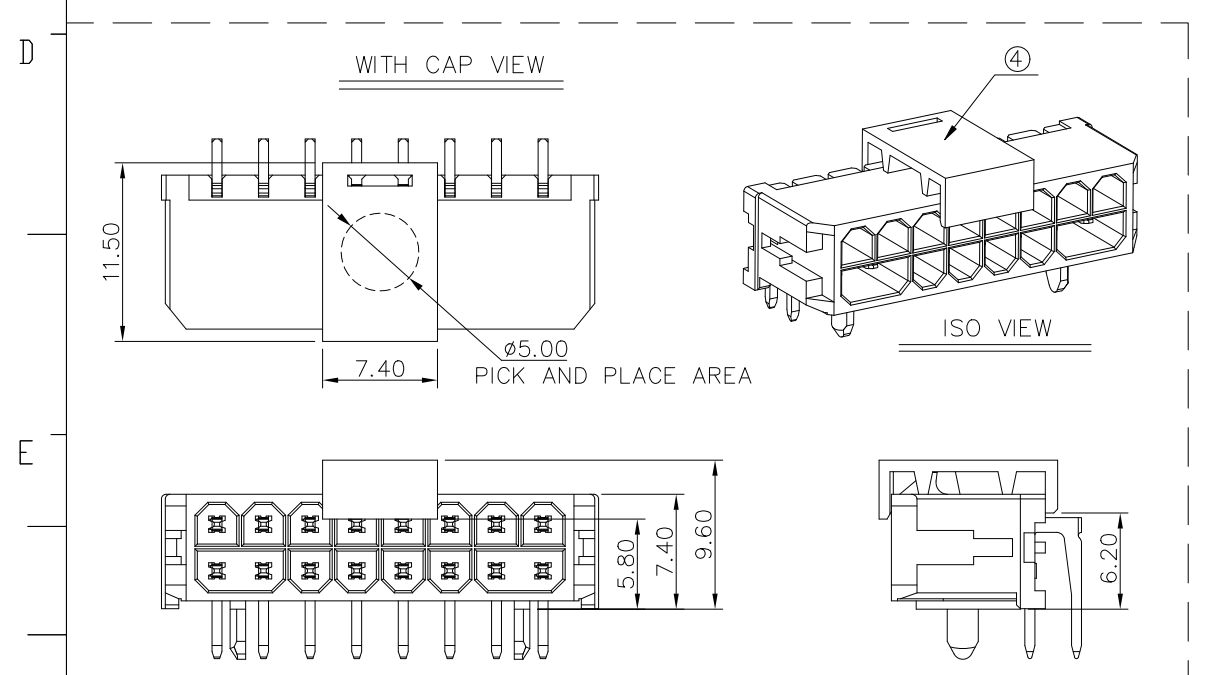
NOTES:

- 1.DIMENSION SHALL BE INTERPRETED PER ASME Y14.5M-1994;
- 2.ELECTRICAL PERFORMANCES:
  - 2-1.INSULATION RESISTANCE: 1000 MΩ MIN;
  - 2-2.DIELECTRIC WITHSTANDING VOLTAGE:1000VAC
3. OPERATING TEMPERATURE : -40°C TO +85°C.
- 4.PLEASE CONTACT DRAPHO SALES REPRESENTATIVE TO VERIFY PRODUCT DETAILS & AVAILABILITY.
- 5.HARMFUL MATERIAL CONTROL SHOULD MEET "DQSP2014".
6. D/C ADOPT LASER : Y M D L

YEAR — Y  
MONTH — M  
DAY — D  
LINE — L



RECOMMENDED PCB LAYOUT  
TOLERANCE +/-0.03mm



PART NO.  
WSC3160-S3880-1 H

PITCH:  
C=3.00mm

POS.NO  
16=16POS

HALOGEN & LEAD FREE

PACKAGE CODE  
1: CARRIER TAPE

PROFILE HEIGHT:  
88=8.80mm

CONTACT AREA PLATING:  
0=MATTE TIN

ITEM NO.	NAME	MATERIAL	FINISH	Q'TY
④	COVER	HIGHTEMP-PLASTIC	UL94V-0, BLACK	1
③	CONTACT 2	COPPER ALLOY	50u"MIN NICKEL UNDER PLATING 50u"MIN MATTE TIN PLATING OVER ALL;	8
②	CONTACT 1	COPPER ALLOY		8
①	HOUSING	HIGHTEMP-PLASTIC	UL94V-0, BLACK	1

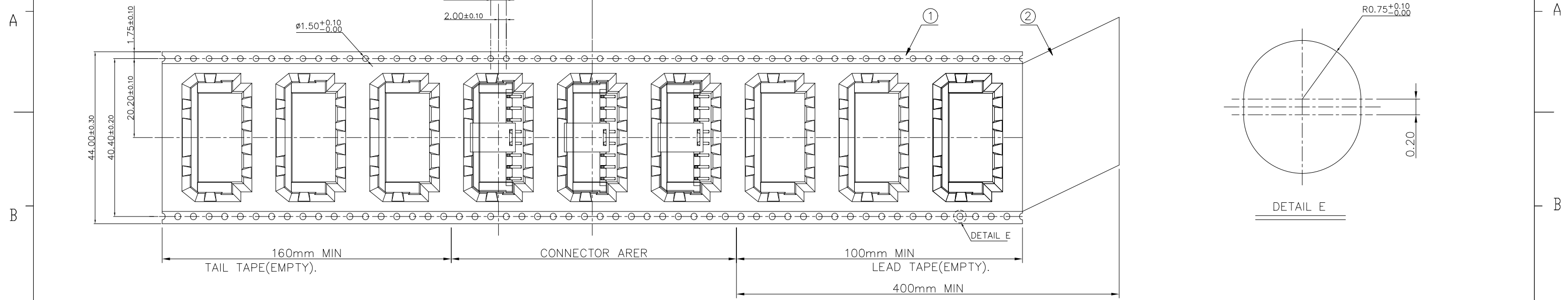
  

UNITS: mm	GENERAL TOLERANCE	APPROVED: Mike.Wu	PART NO.(INTENDED USE) WSC3160-S3880-1H
DATE: 12/09'20	X. :±0.30 .X :±0.20 .XX :±0.15	CHECKED: Wes.Wu	TITLE: CUSTOMER DRAWING FOR 3.00mmP 8.80mmH BATTERY RECEPTACLE CONN
SCALE: N/A	X.* :±5.00 .X.* :±3.00 .XX.* :±2.00	DRAWING: Beal.Bao	DRAWING NO.: 820-0000-0902
SHEET: 2/3	MATERIAL: SEE TABLE	Q'TY N/A	Highstar
REV.: A	FINISH: SEE TABLE	Drapho ELECTRONICS TECHNOLOGY CO., LTD	

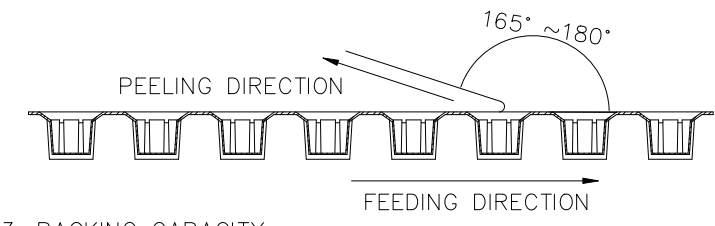
SOLID WORKS GENERATED DRAWING, DON'T CHANGE BY HAND.

RoHS HF

REV.	ECN. NO.	APPD.

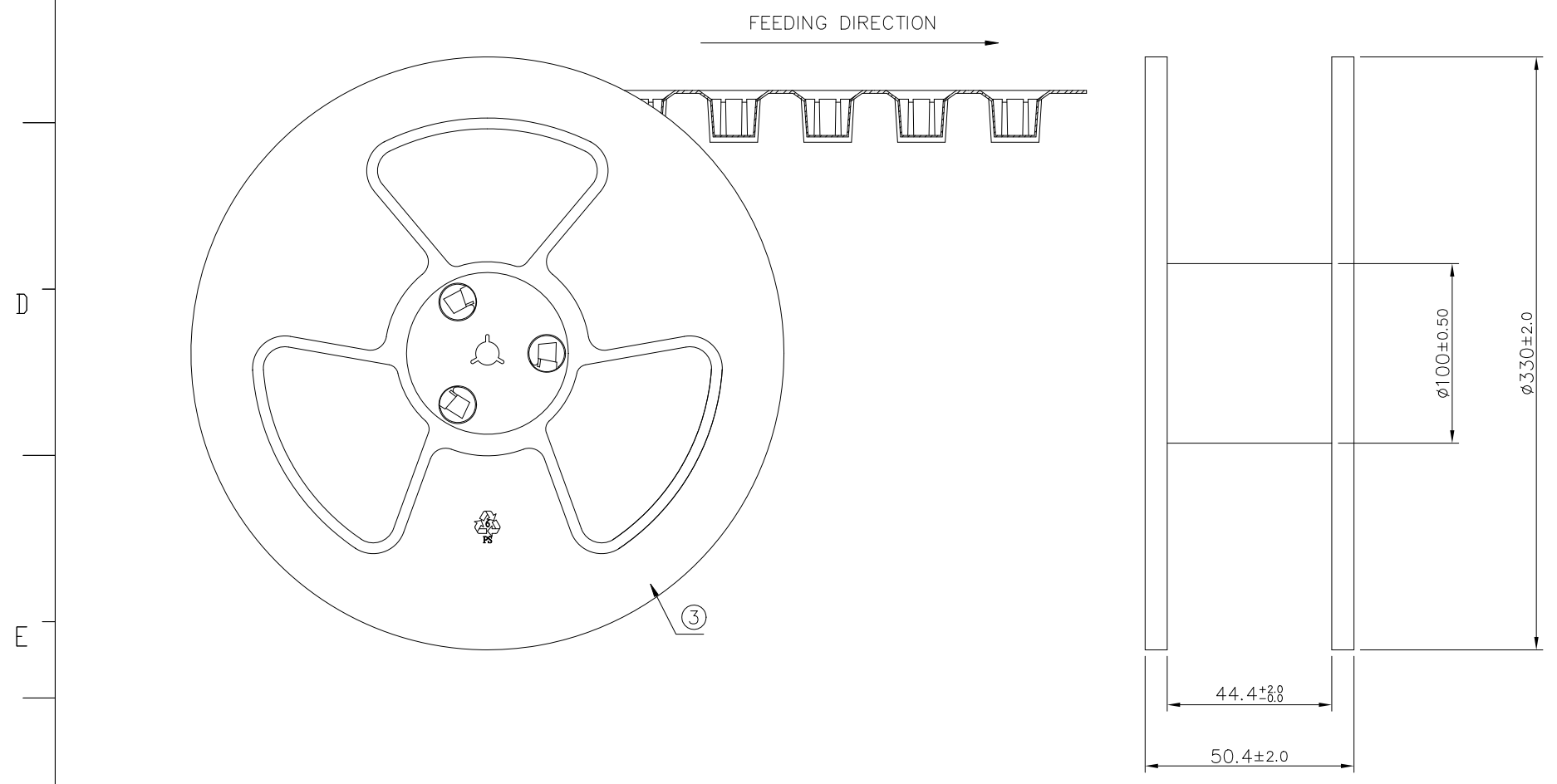


- NOTES:
- 10 PITCHES CUMULATIVE TOLERANCE ON TAPE ±0.20mm.
  - COVER TAPE PEELING STRENGTH: 0.13kgf MAX AT 300mm/MINUTE.



3. PACKING CAPACITY:

P/N	PCS/REEL	REEL/BOX	PCS/BOX
WSC3100-S3880-1H	200	3	600
WSC3160-S3880-1H	200	3	600



ITEM	DESCRIPTION	MATERIAL
③	REEL	POLYSTYRENE
②	COVER TAPE	POLYESTER
①	CARRIER TAPE	POLYSTYRENE

UNITS: mm	GENERAL TOLERANCE	APPROVED: Mike.Wu	PART NO.(INTENDED USE) WSC31*0-S3880-1H
DATE: 12/09'20	X. :±0.30 .X :±0.20 .XX :±0.15	CHECKED: Wes.Wu	TITLE: CUSTOMER DRAWING FOR 3.00mmP 8.80mmH BATTERY RECEPTACLE CONN
SCALE: N/A	X.* :±5.00 .X.* :±3.00 .XX.* :±2.00	DRAWING: Beal.Bao	DRAWING NO.: 820-0000-0902
SHEET: 3/3	MATERIAL: SEE TABLE	Q'TY: N/A	Highstar
REV.: A	FINISH: N/A	Drapho ELECTRONICS TECHNOLOGY CO., LTD	