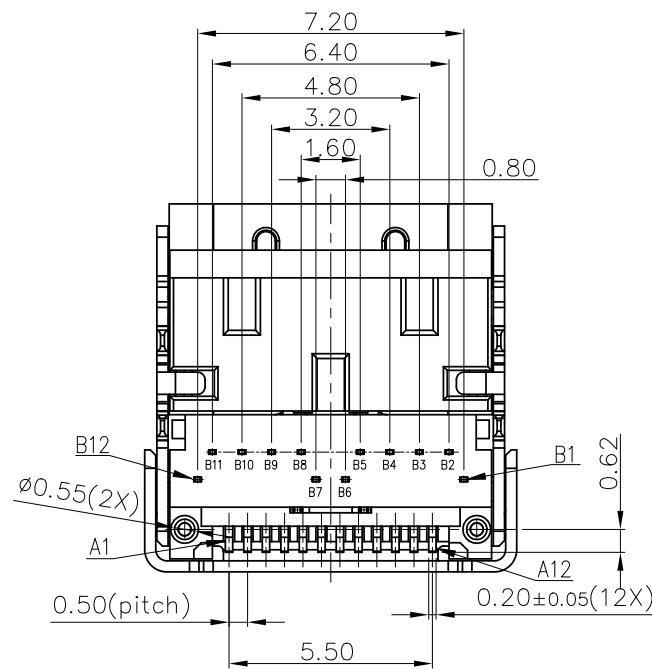
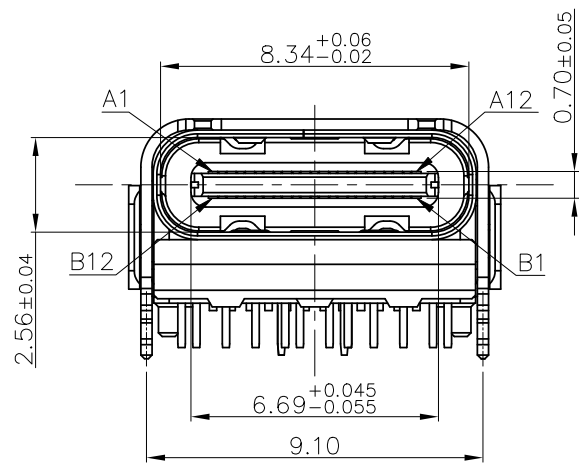
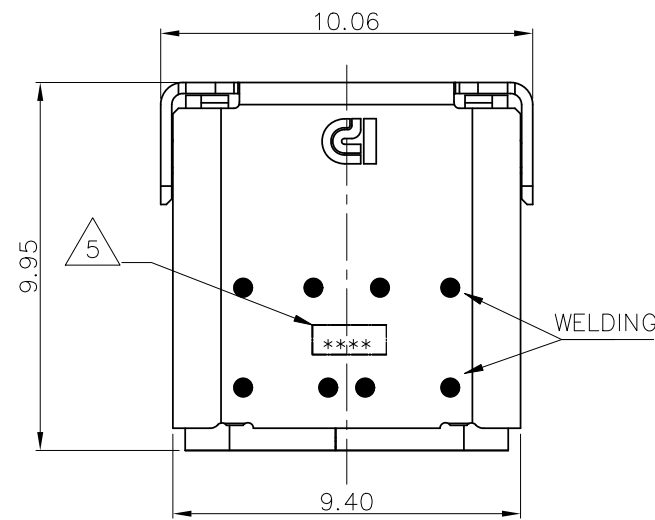


RoHS HF

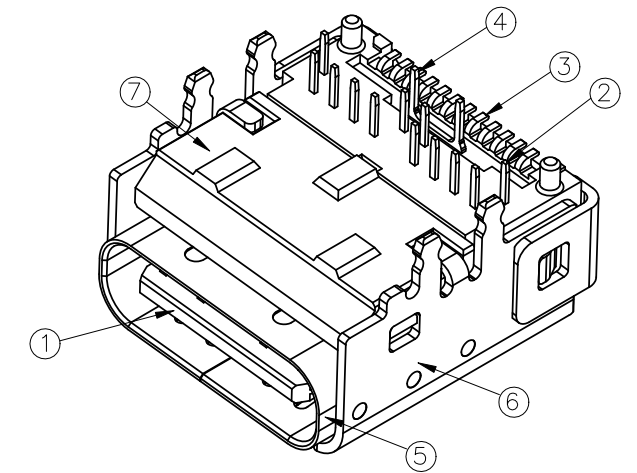
REV.	ECN. NO.	APPD.
A	ECN190521002	Fan Fang



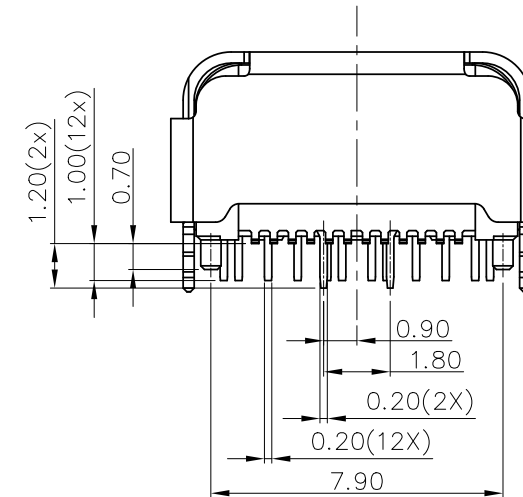
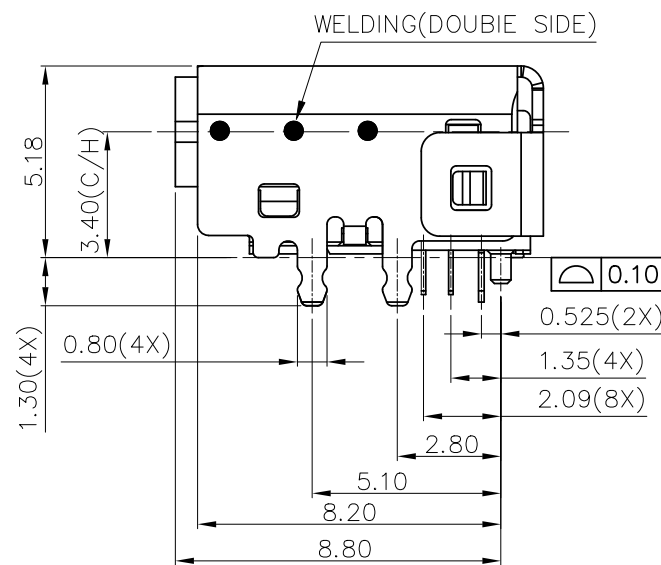
PART NO. UB 1 1 24 * - 3 4 B 0 C-1 H

1: RIGHT ANGLE TYPE
 1: RECEPTACLE
 24: 24 POS.
 CONTACT PLATING:
 6: 5u" Au PLATING
 7: 12u" Au PLATING
 9: 30u" Au PLATING
 CENTER HEIGHT
 34: 3.40mm

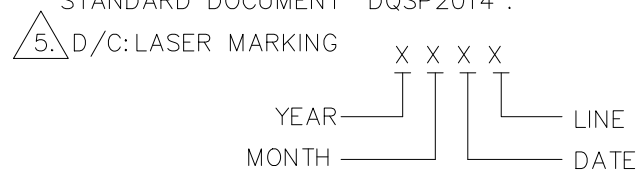
H: HALOGEN FREE & LEAD FREE
 1: CARRIER TAPE
 C: WITH BRACKET, T/H TYPE, NON-STANDARD LAYOUT
 O: BLACK COLOR
 B: HYBRID TYPE



3D VIEW



NOTES:
 1.MATERIAL: SEE TABLE.
 2.ELECTRICAL PERFORMANCES:
 2-1.VOLTAGE RATING: 20V DC MAX.
 2-2.CURRENT RATING:
 VBUS AND GND AT RATED OF 1.25A, PARALLELED FOR A TOTAL OF 5A.
 2-3.LOW LEVEL CONTACT RESISTANCE:
 40mΩ MAX. FOR VBUS,GND AND OTHE CONTACTS, 50mΩ MAX. FINAL AFTER TEST.
 2-4.INSULATION RESISTANCE: 100 MΩ MIN.
 2-5.DIELECTRIC WITHSTANDING VOLTAGE:
 SUBJECT A VOLTAGE OF 100V AC FOR 1 MINUTE BETWEEN ADJACENT CONTACTS;
 3.MECHANICAL PERFORMANCES:
 3-1.MATING FORCE: 0.5~2.0Kgf.
 3-2.UNMATING FORCE: 0.8~2.0Kgf
 0.6~2.0Kgf (After Durability)
 3-3.DURABILITY: 10000 CYCLES.

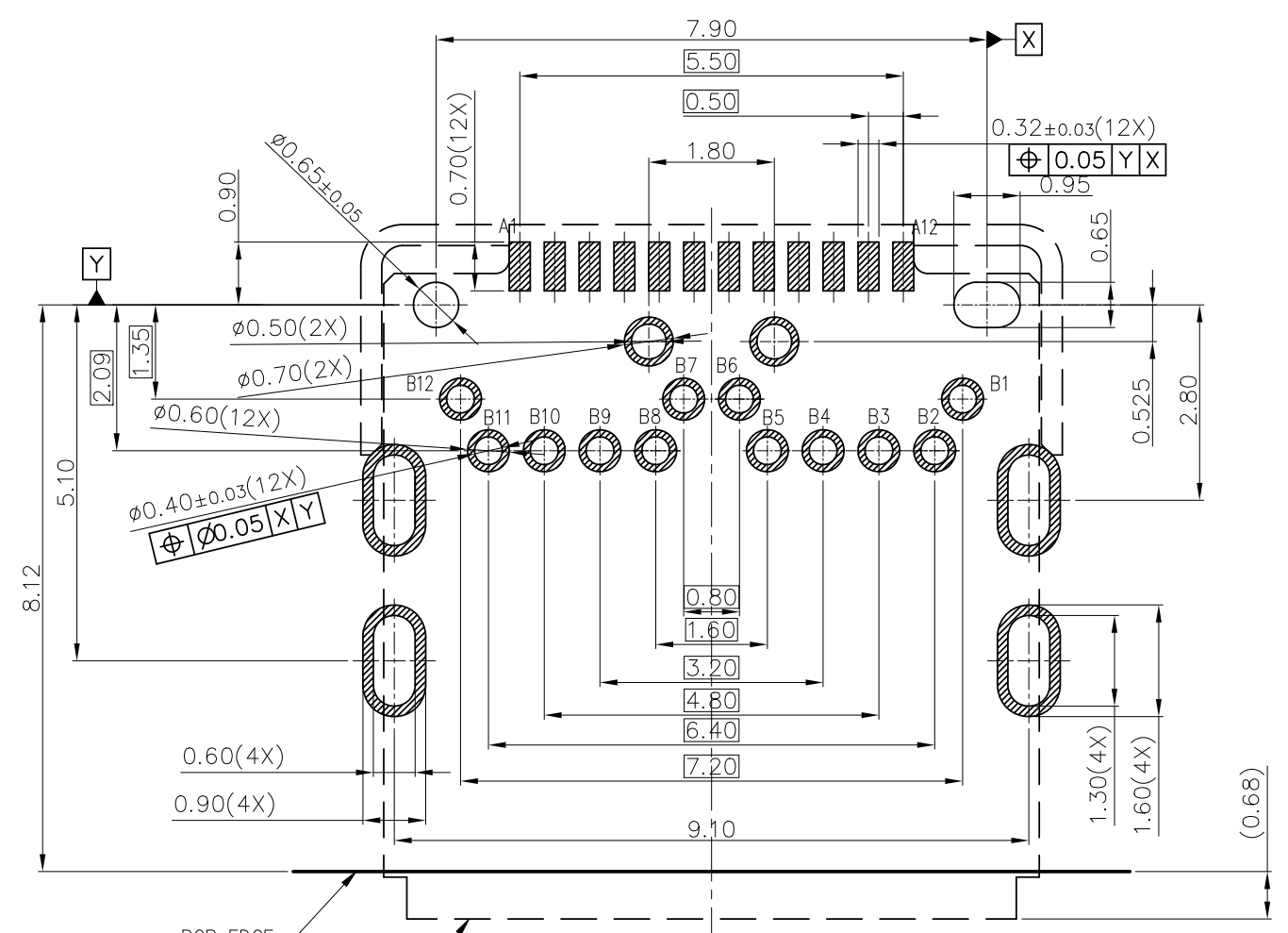


UB11249-34B0C-1H	30u" MIN. GOLD PLATING ON CONTACT AREA
UB11247-34B0C-1H	12u" MIN. GOLD PLATING ON CONTACT AREA
UB11246-34B0C-1H	5u" MIN. GOLD PLATING ON CONTACT AREA
P/N	REMARK

ITEM	DESCRIPTION	MATERIAL	FINISH
⑦	SPACER	HIGHTEMP-PLASTIC	UL94V-0,COLOR:BLACK
⑥	BRACKET	STAINLESS STEEL	50u" MIN. NICKEL PLATING OVER ALL.
⑤	INNER SHELL	STAINLESS STEEL	50u" MIN. BLACK NICKEL PLATING OVER ALL.
④	BLADE	STAINLESS STEEL	50u" MIN. NICKEL PLATING OVER ALL.
③	CONTACT 2	COPPER ALLOY	GOLD PLATING ON CONTACT AREA, GOLD FLASH ON SOLDER AREA, 50u" MIN. NICKEL UNDER PLATED OVER ALL.
②	CONTACT 1		
①	I/M	HIGHTEMP-PLASTIC	UL94V-0,COLOR:BLACK

UNITS: mm	GENERAL TOLERANCE	APPROVE: Fan Fang	PART NO.(INTENDED USE) UB1124*-34B0C-1H
DATE: 05/21'19	X. ±0.50 .X ±0.30 SCALE: 5/1 .XX ±0.20	CHECKED: Mike Wu	TITLE: CUSTOMER DRAWING FOR USB Type-C CH3.40mm Hybrid WITHOUT SCREW HOLES REC CONN.
SHEET: 1/3	MATERIAL: N/A	DRAW: Adam Zhu	DRAWING NO.: 820-0000-0733
REV.: A	FINISH: N/A	Highstar Drapho ELECTRONICS TECHNOLOGY CO., LTD	

RoHS HF



PIN ASSIGNMENTS(USB3.1 SPEC.)

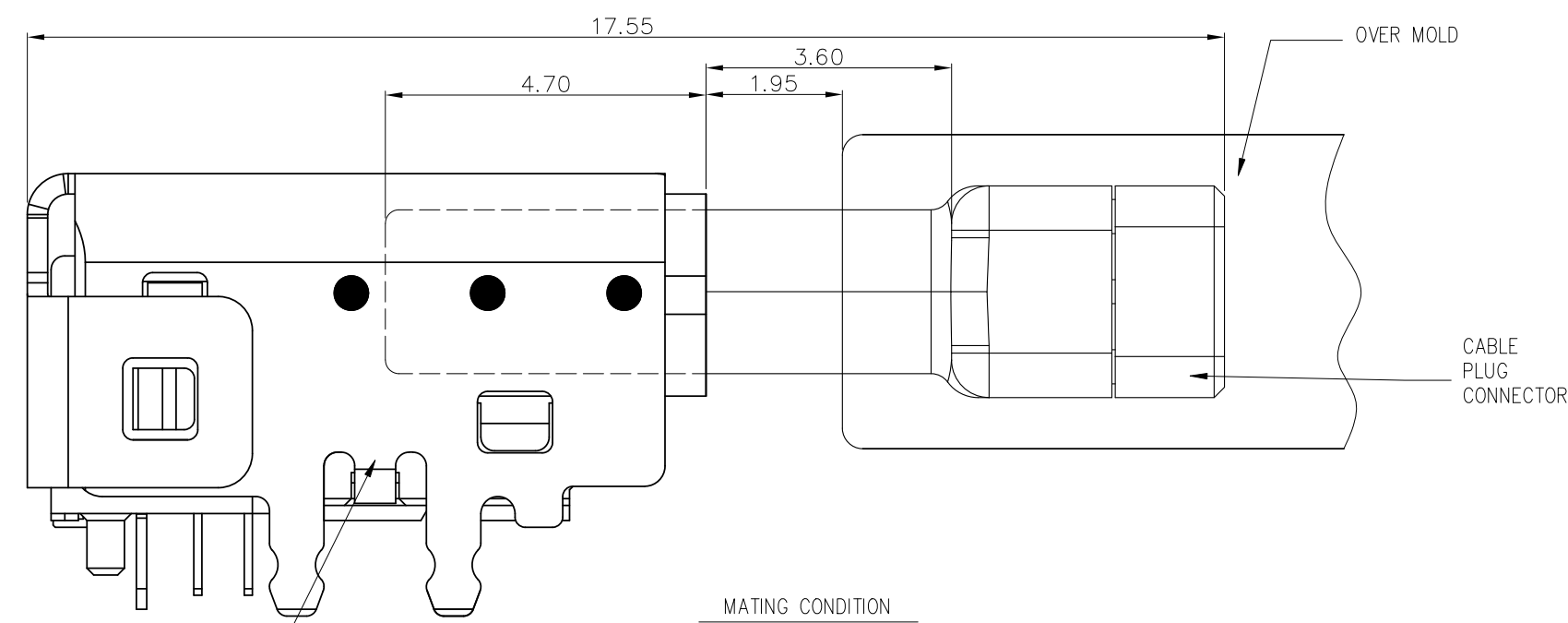
A1	A2	A3	A4	A5	A6	A7	A8	A9	A10	A11	A12
GND	TX1+	TX1-	VBUS	CC1	D+	D-	SBU1	VBUS	RX2-	RX2+	GND
GND	RX1+	RX1-	VBUS	SBU2	D-	D+	CC2	VBUS	TX2-	TX2+	GND
B12	B11	B10	B9	B8	B7	B6	B5	B4	B3	B2	B1


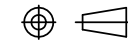
PIN ASSIGNMENTS(VirtualLink)

A1	A2	A3	A4	A5	A6	A7	A8	A9	A10	A11	A12
GND	DP[2]+	DP[2]-	VBUS	CC1	USB3TX+	USB3TX-	SBU1	VBUS	DP[0]-	DP[0]+	GND
GND	DP[3]+	DP[3]-	VBUS	SBU2	USB3RX-	USB3RX+	VCONN	VBUS	DP[1]-	DP[1]+	GND
B12	B11	B10	B9	B8	B7	B6	B5	B4	B3	B2	B1

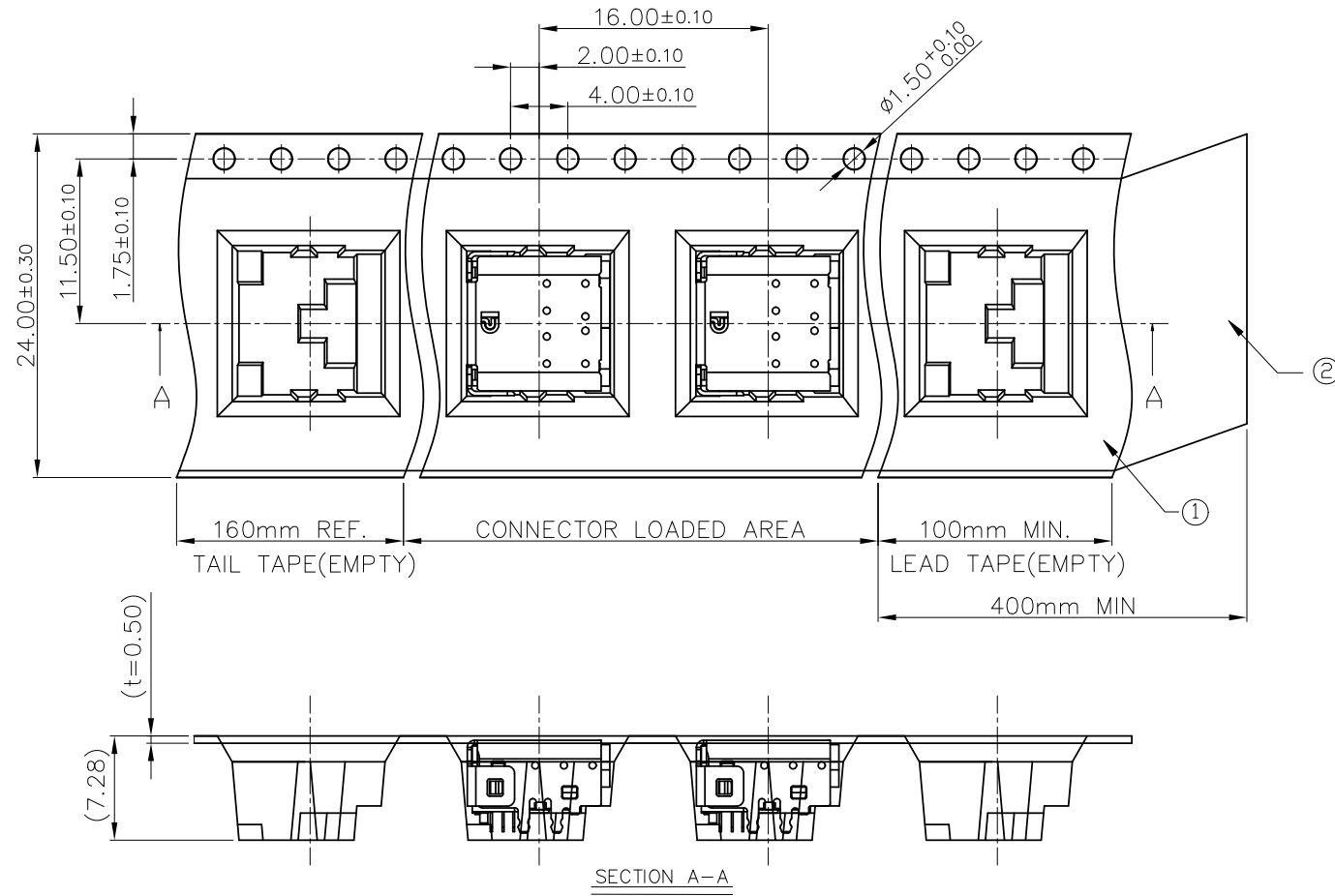
RECOMMENDED PCB LAYOUT
PCB THICKNESS 1.2±0.05mm
TOLERANCE .XX ±0.05

PCB EDGE
CONNECTOR EDGE

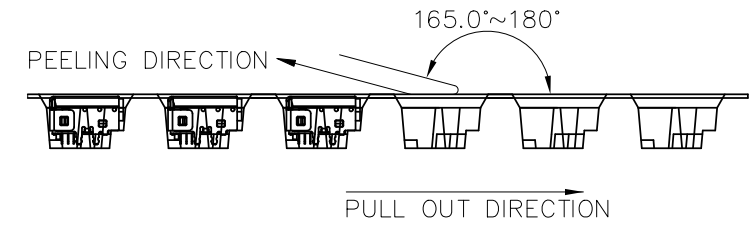


UNITS: mm	GENERAL TOLERANCE		APPROVE: Fan Fang	PART NO.(INTENDED USE) UB1124*-34B0C-1H
DATE: 05/21'19	X. ±0.50	X.* ±5°	CHECKED: Mike Wu	TITLE: CUSTOMER DRAWING FOR USB Type-C CH3.40mm Hybrid WITHOUT SCREW HOLES REC CONN.
SCALE: 10/1	.X ±0.30	.X* ±3°	DRAW: Adam Zhu	DRAWING NO.: 820-0000-0733
SHEET: 2/3	MATERIAL:	Q'TY N/A	 Highstar Drapho ELECTRONICS TECHNOLOGY CO., LTD	
REV.: A	FINISH: N/A			

RoHS HF

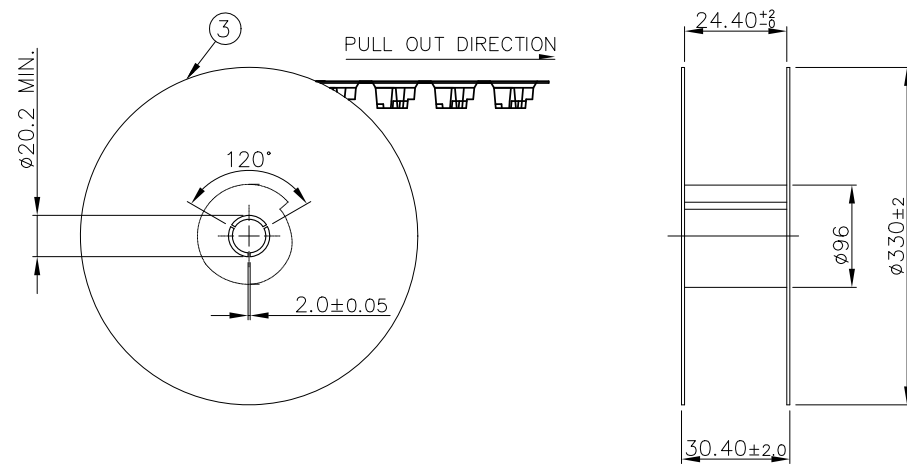


NOTES:
 1.10 PITCHES CUMULATIVES TOLERANCE ON TAPE IS +/-0.20mm;
 2.COVER TAPE PEELING STRENGTH :0.13Kgf MAX. AT 300mm/MINUTE;




3.PACKAGING CAPACITY:

P/N	PCS/REEL	REEL/BOX	PCS/BOX
UB1124*-34B0C-1H	500	6	3000



ITEM	DESCRIPTION	MATERIAL
③	REEL	POLYSTYRENE
②	COVER TAPE	POLYSTER
①	CARRIER TAPE	POLYSTYRENE

UNITS: mm	GENERAL TOLERANCE		APPROVE:	PART NO.(INTENDED USE)
DATE: 05/21'19	X. ±0.50	X.* ±5°	Fan Fang	UB1124*-34B0C-1H
SCALE: 5/1	.X ±0.30	.X.* ±3°	CHECKED: Mike Wu	TITLE: CUSTOMER DRAWING FOR USB Type-C CH3.40mm Hybrid WITHOUT SCREW HOLES REC CONN.
SHEET: 3/3	.XX ±0.20	.XX.* ±2°	DRAW: Adam Zhu	DRAWING NO.: 820-0000-0733
REV.: A	MATERIAL: N/A	Q'TY N/A	 Highstar Drapho ELECTRONICS TECHNOLOGY CO., LTD	
	FINISH: N/A	