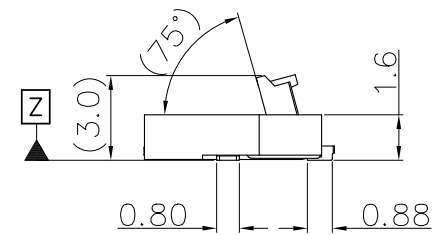
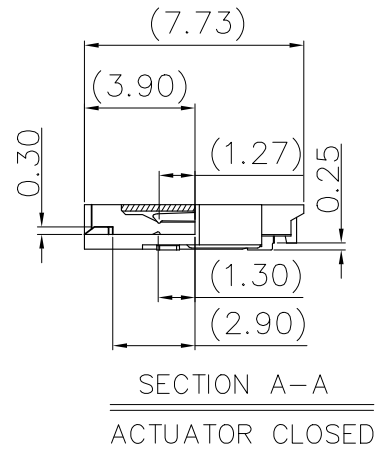
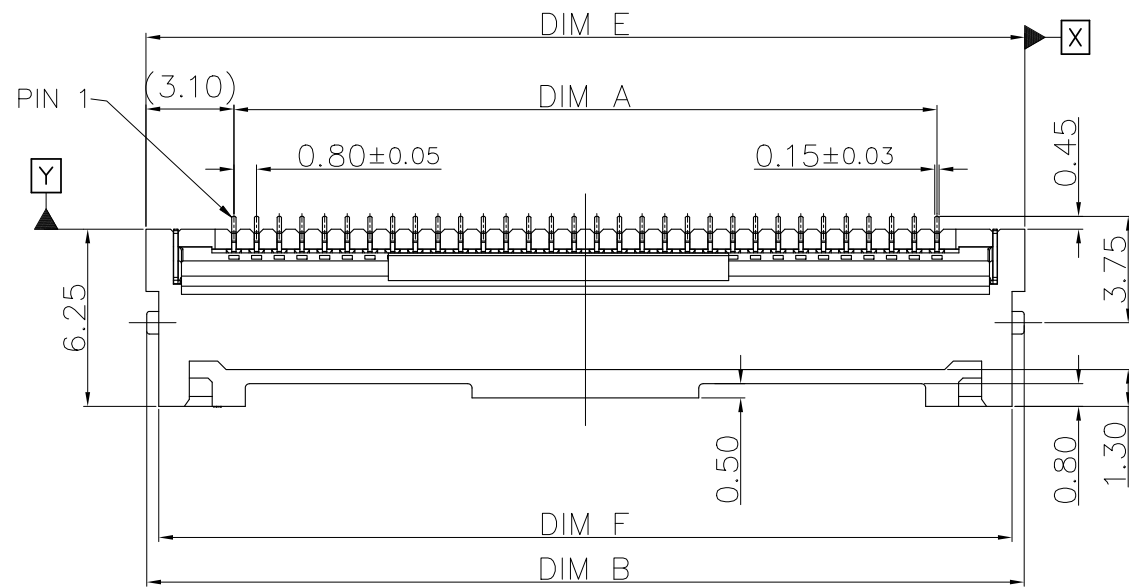
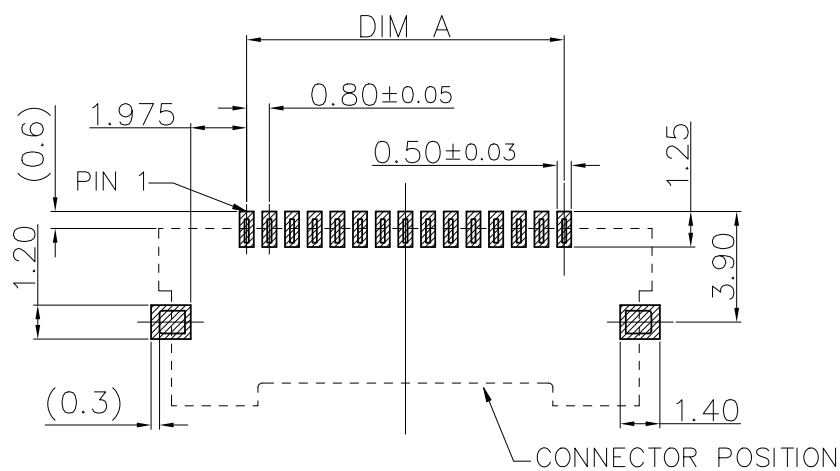
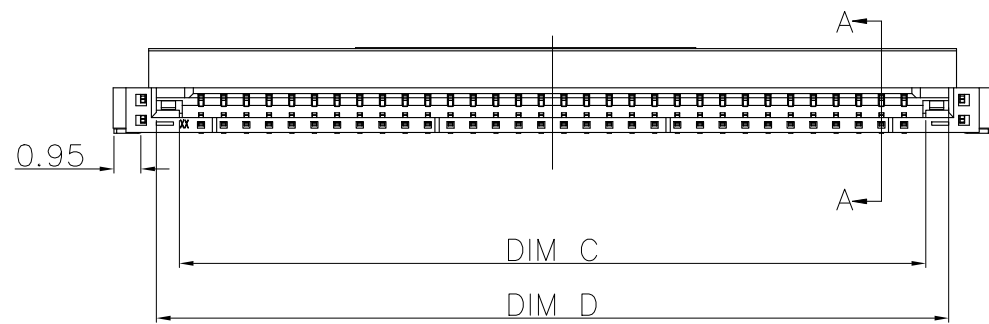
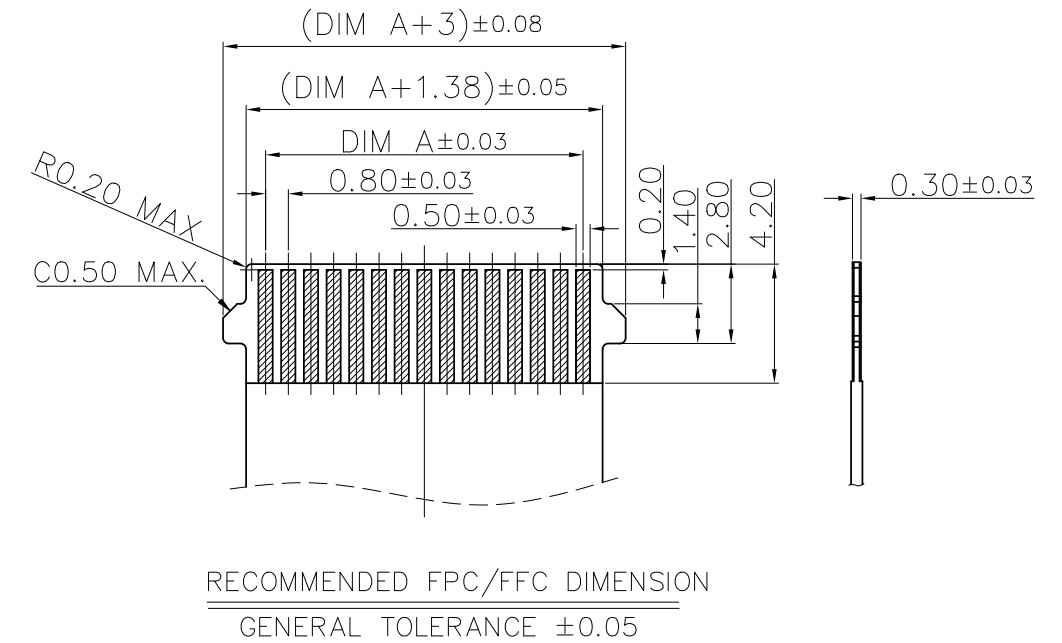


RoHS HF

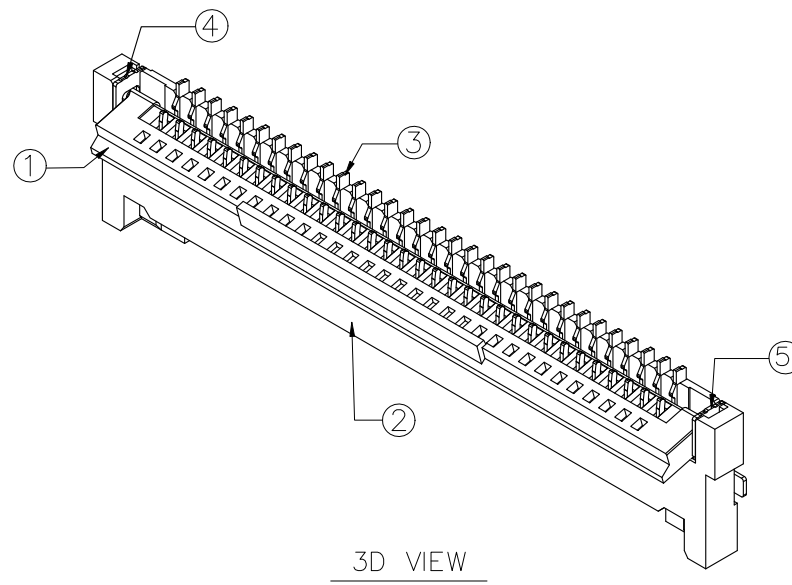
REV.	ECN. NO.	APPD.
A	ECN181114001	River Yao
B	ECN190328002	Mike Wu
C	ECN200724005	Mike Wu



NOTES:
 1.DIMENSIONS SHOULD BE INTERPRETED PER ASME Y14.5M-1994.
 2.ELECTRICAL CHARACTERISTICS:
 2-1.CONTACT CURRENT RATING:0.5A MAX. PER PIN;
 2-2.INSULATION RESISTANCE: 100 MEGAOHMS MIN. AT 500 VDC;
 2-3.DIELECTRIC WITHSTANDING VOLTAGE:500 VAC RMS AT 60Hz FOR 1 MINUTE;
 2-4.CONTACT RESISTANCE:
 60 MINIOHMS MAX. INITIAL.
 $\Delta R=20$ MINIOHMS MAX. AFTER PHYSICAL AND ENVIRONMENTAL TESTS.
 3.ENVIRONMENTAL CHARACTERISTICS:
 3-1.OPERATING TEMPERATURE: $-25^{\circ}\text{C}\sim+85^{\circ}\text{C}$
 4..HARMFUL MATERIAL CONTROL SHOULD MEET DOCUMENT "DQSP2014".



RECOMMENDED P.C.B PATTERN LAYOUT
 GENERAL TOLERANCE ± 0.05



CKTS	DIM A	DIM B	DIM C	DIM D	DIM E	DIM F
32	24.80	30.95	26.33	27.95	31.00	30.10
34	26.40	32.55	27.93	29.55	32.60	31.70

ITEM	DESCRIPTION	Q'TY	MATERIAL	TREATMENT
⑤	LEFT PAD	1	COPPER ALLOY	NICKEL UNDER PLATING; MATTE TIN PLATING OVERALL.
④	RIGHT PAD	1		
③	CONTACT	**	COPPER ALLOY	NICKEL UNDER PLATING; GOLD FLSH PLATING ON CONTACT AREA AND SOLDER AREA.
②	HOUSING	1	THERMOPLASTIC	COLORU: NATURAL; UL: 94V-0
①	ACTUATOR	1	THERMOPLASTIC	COLOUR: BLACK; UL: 94V-0

UNITS: mm	GENERAL TOLERANCE	APPROVE: Mike Wu	PART NO.(INTENDED USE) FC8AR**1-3160-1H
DATE: 07/28'20	.X ± 0.25 .XX ± 0.15 SCALE: N/A	CHECKED: Mike Wu	TITLE: CUSTOMER DRAWING FOR 0.8PH FPC CONN.
SHEET: 1/2	.XXX ± 0.10	DRAW: Adam Zhu	DRAWING NO.: 820-0000-0690
REV.: C	MATERIAL: N/A	Q'TY N/A	Highstar Drapho ELECTRONICS TECHNOLOGY CO., LTD
	FINISH: N/A		

RoHS HF

REV.	ECN. NO.	APPD.

A

B

C

D

E

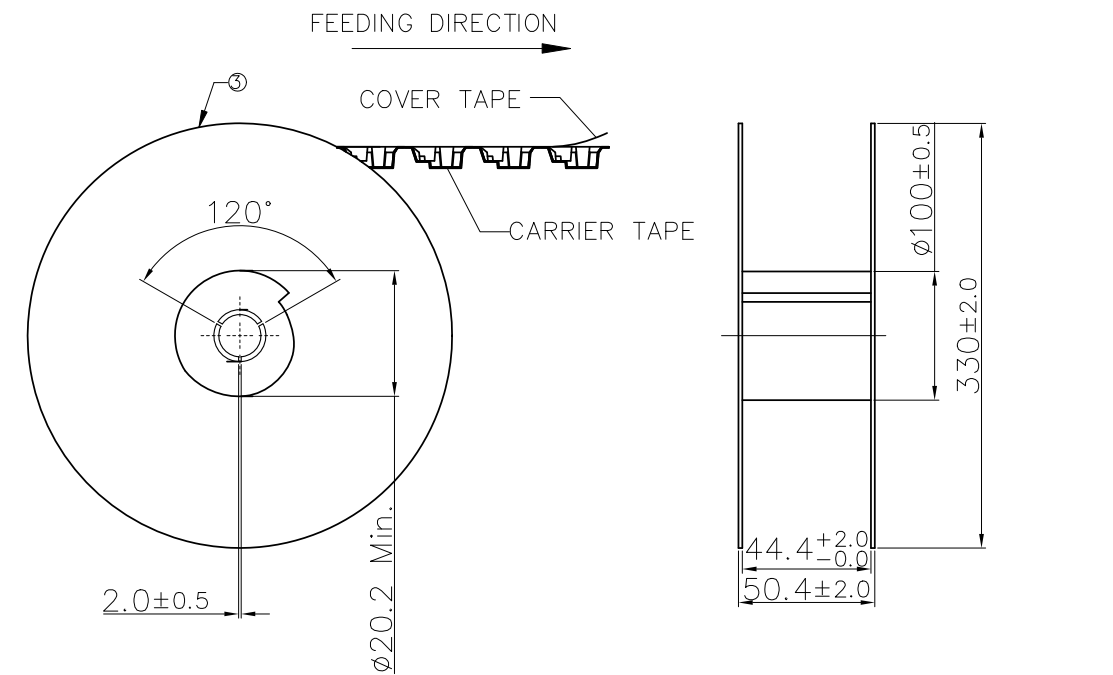
A

B

C

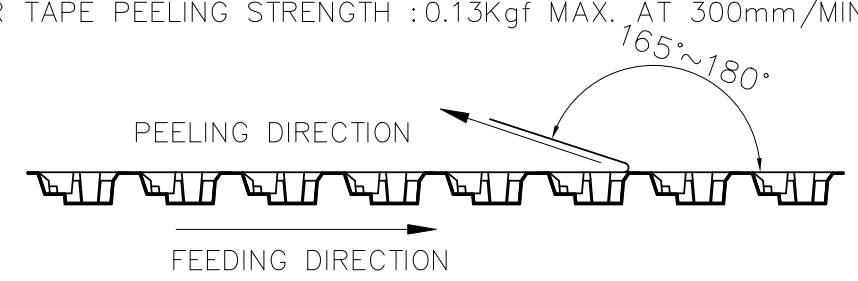
D

E



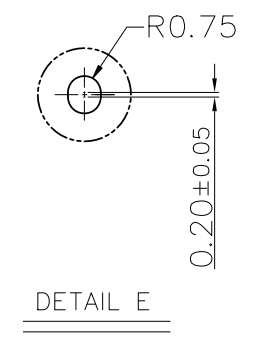
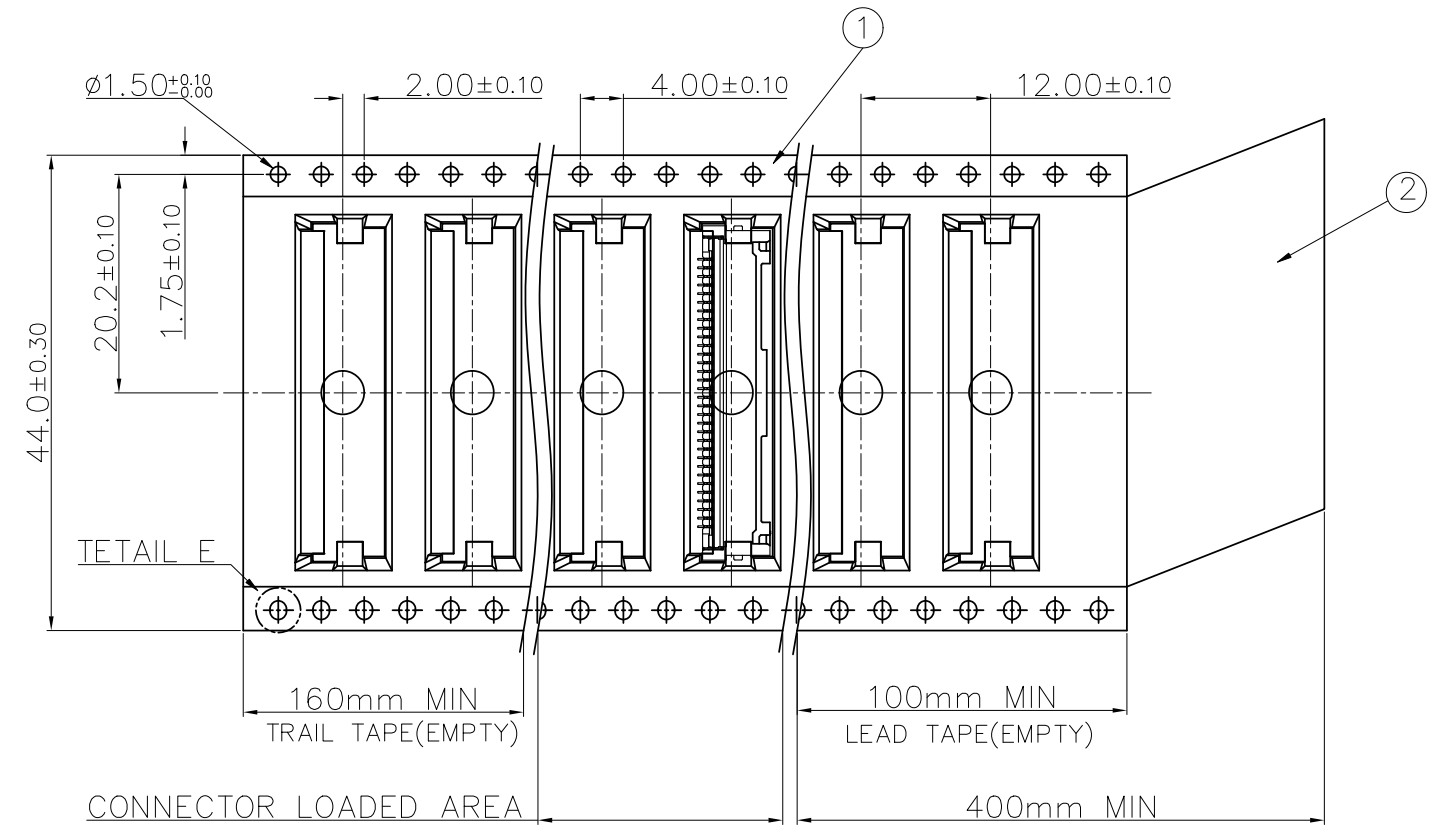
NOTES:

- 1. 10 PITCHES CUMULATIVE TOLERANCE ON TAPE IS +/- 0.20mm;
- 2. COVER TAPE PEELING STRENGTH : 0.13Kgf MAX. AT 300mm/MINUTE;


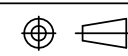


3. PACKAGING CAPACITY:

P/N	PCS/REEL	REEL/BOX	PCS/BOX
FC8AR321-3160-1H	1400	6	8400
FC8AR341-3160-1H	1400	6	8400



ITEM	DESCRIPTION	MATERIAL
③	REEL	POLYSTYRENE
②	COVER TAPE	POLYESTER
①	CARRIER TAPE	POLYSTYRENE

UNITS: mm	GENERAL TOLERANCE		APPROVE: Mike Wu	PART NO.(INTENDED USE) FC8AR**1-3160-1H
DATE: 07/28'20	.X ±0.50	X.* ±3*	CHECKED: Mike Wu	TITLE: CUSTOMER DRAWING FOR 0.8PH FPC CONN.
SCALE: N/A	.XX ±0.30		DRAW: Adam Zhu	DRAWING NO.: 820-0000-0690
SHEET: 2/2	MATERIAL: N/A	Q'TY N/A	 Highstar Drapho ELECTRONICS TECHNOLOGY CO., LTD	
REV.: C	FINISH: N/A			

1

2

3

4

5

6

7