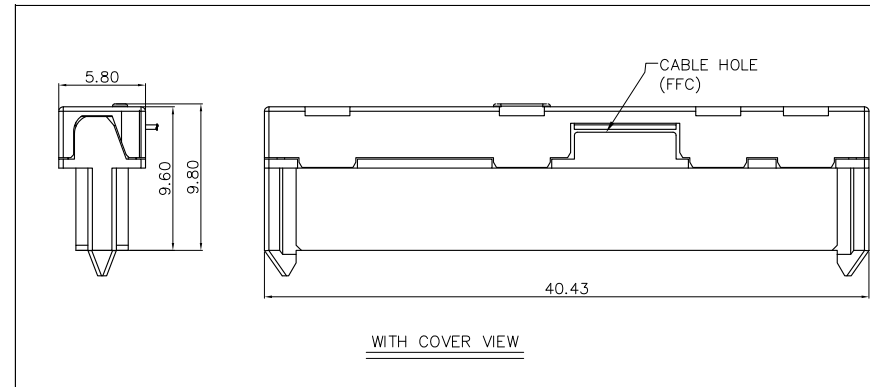
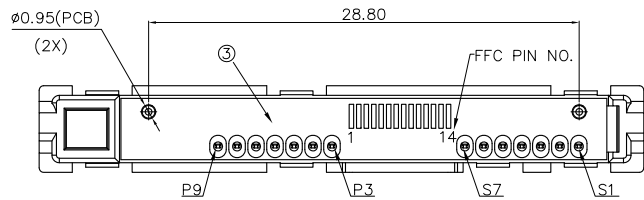
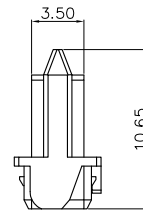
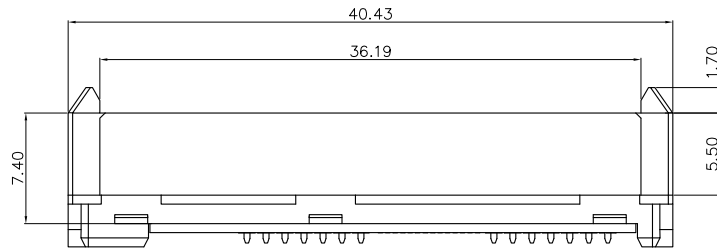
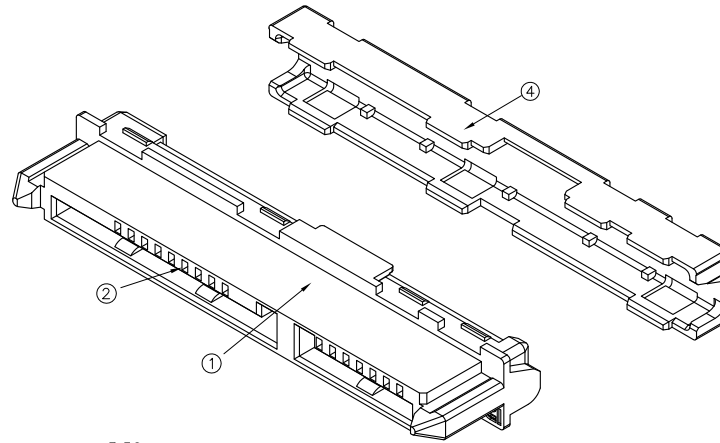
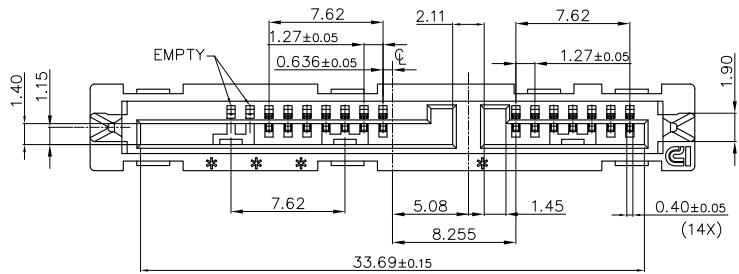




REV.	ECN. NO.	APPD.
A	ECN160104016	Fan Fang
B	ECN160706005	

	CONN		FFC
Signal	GND	S1	4/5/6/8/11/14
	A+	S2	13
	A	S3	12
	GND	S4	4/5/6/8/11/14
	B-	S5	10
	B+	S6	9
Power	GND	S7	4/5/6/8/11/14
	V3.3	P3	7
	GND	P4	4/5/6/8/11/14
	GND	P5	4/5/6/8/11/14
	GND	P6	4/5/6/8/11/14
	V5.5	P7	1/2/3
	V5.5	P8	1/2/3
	V5.5	P9	1/2/3

Pin Define



NOTES:

- DIMENSION SHALL BE INTERPRETED PER ASME Y14.5M-1994.
- ELECTRICAL CHARACTERISTICS
 - CURRENT RATING: 1.5A MAX. PER PIN;
 - CONTACT RESISTANCE: 200 mOHMS MAX. INITIAL;
 - INSULATION RESISTANCE: 1000 MOHMS MIN.;
 - WITHSTANDING VOLTAGE: 500 VAC FOR 1 MINUTE MIN.;
- MECHANICAL CHARACTERISTICS
 - DURABILITY: 500 CYCLES
 - VIBRATION: PASSED EIA-364-28.
 - PHYSICAL SHOCK: PASSED EIA 364-27-H.
- ENVIRONMENT CHARACTERISTICS

OPERATION TEMPERATURE RANGE: -40°C TO +85°C .
- PLEASE CONTACT DRAPHO SALES REPRESENTATIVE TO VERIFY PRODUCT DETAILS & AVAILABILITY.
- HARMFUL MATERIAL CONTROL SHOULDE MEET DOCUMENT "DSQC0042"

PART NO.
PBSA-58102-12H

PB:PCB CONN-
SA:SATA

PROFILE HEIGHT
58:5.8mm

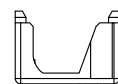
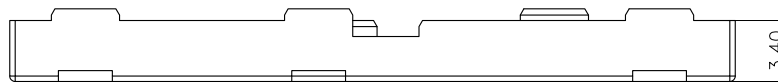
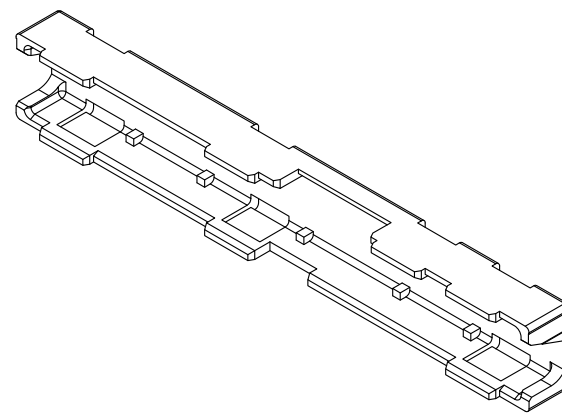
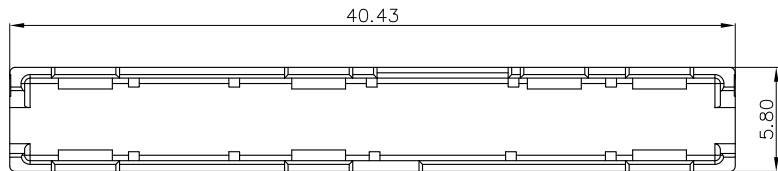
HALOGEN FREE & LEAD FREE
PACKAGE CODE
2:SOFT TRAY
SOLDERING TAIL TYPE
1=T/H TYPE

④	COVER	HIGHTEMP-PLASTIC	UL94V-0,BLACK	1
③	PCB	FR4	UL94V-0	1
②	CONTACT	COPPER ALLOY	50u" Min. NICKEL UNDER PLATING; GOLD FLASH ON CONTACT AREA; 80u" MIN. MATTE TIN PLATING ON SOLDER AREA.	14
①	HOUSING	HIGHTEMP-PLASTIC	UL94V-0,BLACK	1
ITEM NO.	NAME	MATERAIL	FINISH	Q'TY

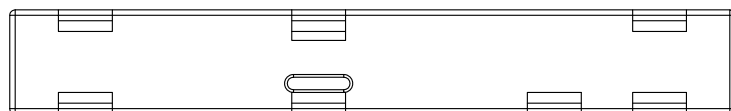
UNITS: mm	GENERAL TOLERANCE	APPROVE:	PART NO.(INTENDED USE) PBSA-58102-12H
DATE: 07/06'16	X. ±0.30 .X ±0.20 .XX ±0.15	CHECKED:	TITLE: CUSTOMER DRAWING FOR PCBA HDD CABLE TYPE SATA
SCALE: N/A	.X* ±5.00* .X* ±3.00* .XX* ±2.00*	DRAW: Ruiju You	DRAWING NO.: 820-0000-0338

SHEET: 1/3	MATERIAL: SEE TABLE	Q'TY N/A	<p>Highstar Drapho ELECTRONICS TECHNOLOGY CO., LTD</p>
REV.: B	FINISH: SEE TABLE		

REV.	ECN. NO.	APPD.



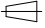


COVER VIEW



1.PACKAGING

P/N	PCS/BAG	BAG/BOX	PCS/BOX
060-0002-160	720PCS/BAG	4BAG	2880

④	COVER	060-0002-160	HIGHTEMP-PLASTIC	UL94V-0,BLACK	1
ITEM NO.	NAME	PART NO.	MATERAIL	FINISH	Q'TY
UNITS: mm	GENERAL TOLERANCE		APPROVE:	PART NO.(INTENDED USE) ¹ PBSA-58102-12H	
DATE: 07/06'16	X. ±0.30 .X ±0.20	X.* ±5.00* .X* ±3.00*	CHECKED:	TITLE: CUSTOMER DRAWING FOR PCBA HDD CABLE TYPE SATA	
SCALE: N/A	.XX ±0.15	.XX* ±2.00*	DRAW: Ruiju You	DRAWING NO.: 820-0000-0338	
SHEET: 2/3	MATERIAL: N/A	Q'TY N/A	 Highstar Drapho ELECTRONICS TECHNOLOGY CO., LTD		
REV.: B	FINISH: N/A	 			



REV.	ECN. NO.	APPD.

A

B

C

D

E

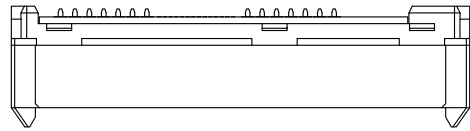
A

B

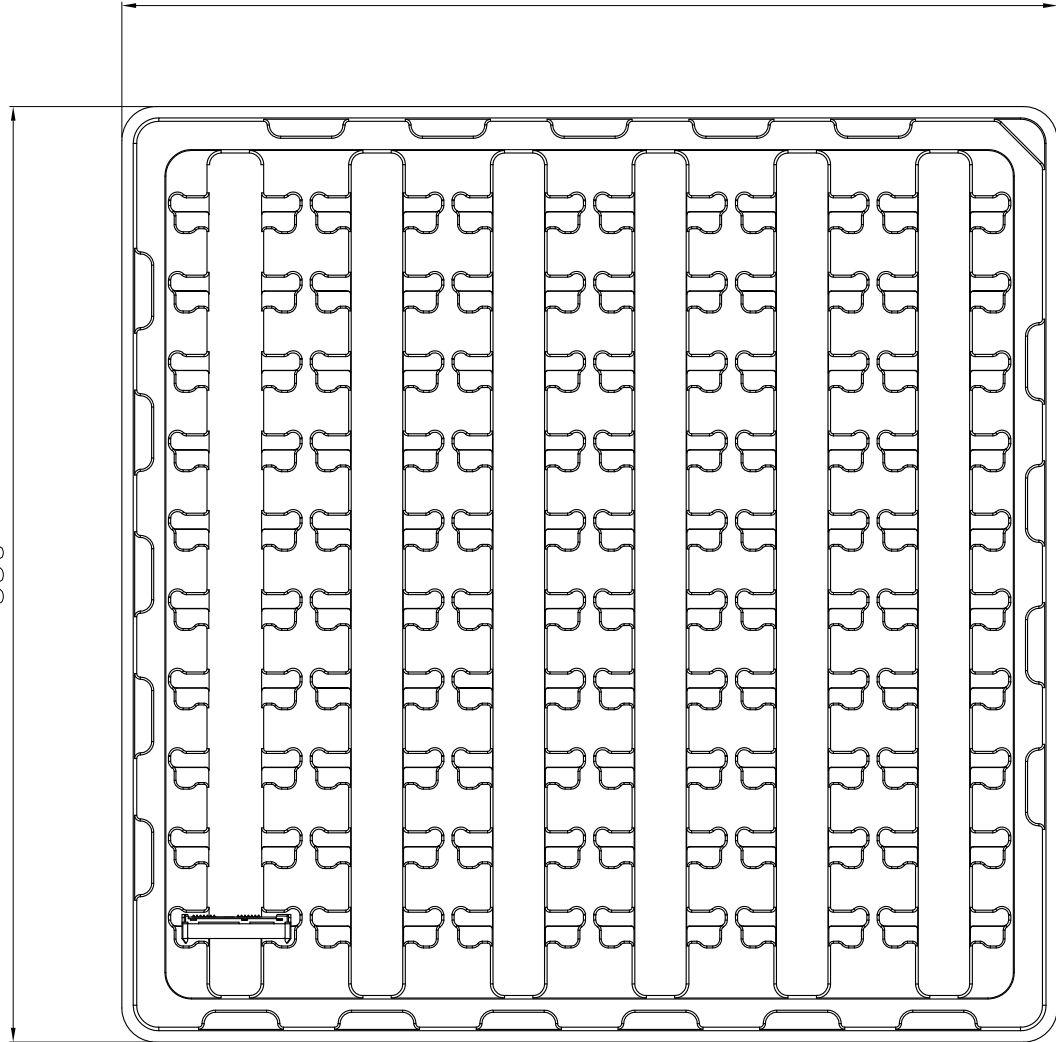
C

D

E



330



1.PACKAGING

P/N	PCS/TRAY	TRAY/BOX	PCS/BOX
PBSA-58102-12H	60	24	1440

UNITS: mm	GENERAL TOLERANCE		APPROVE: Fan Fang	PART NO.(INTENDED USE) PBSA-58102-12H
DATE: 07/06'16	X. ±1.0 .X ±0.20 SCALE: N/A	X.* ±5.00* .X.* ±3.00* .XX* ±2.00*	CHECKED: Daniel Yuan	TITLE: CUSTOMER DRAWING FOR PCBA HDD CABLE TYPE SATA
SHEET: 3/3	MATERIAL:	Q'TY	DRAW: Ruiju You	DRAWING NO.: 820-0000-0338
REV.: B	FINISH:		 Highstar Drapho ELECTRONICS TECHNOLOGY CO., LTD	



1

2

3

4

5

6

7