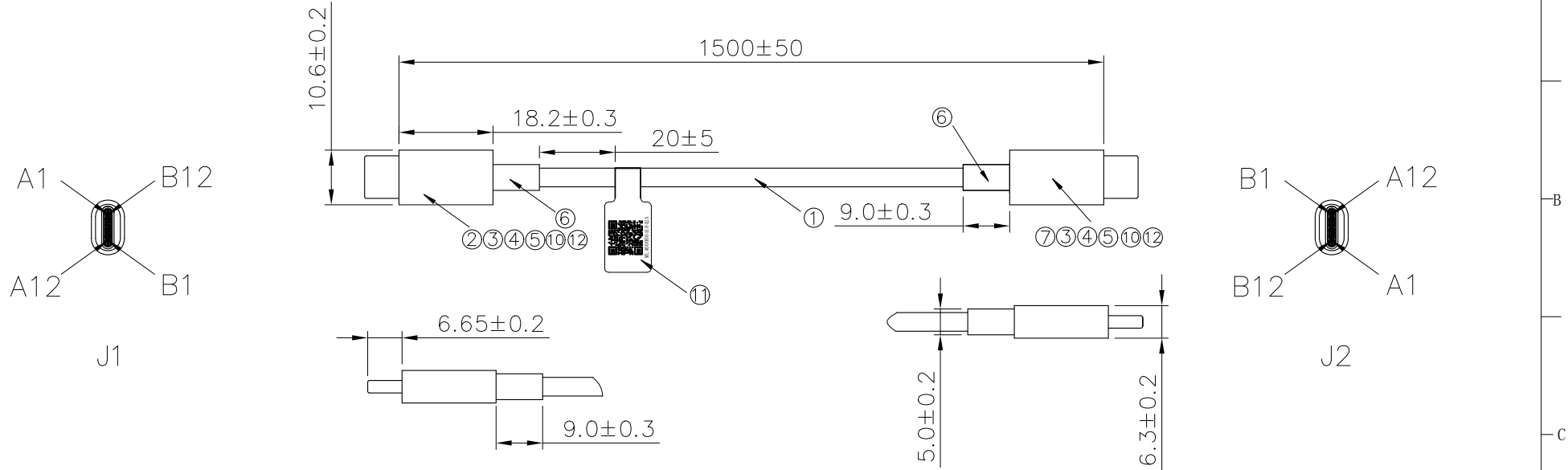


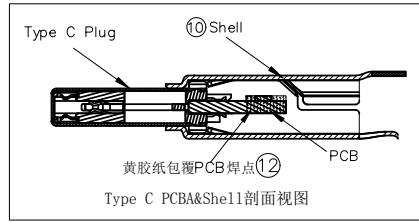
REV.	ECN. NO.	变更内容	APPD.
A	ECN181122007	初版发行	Healthy Huang

RoHS/Pb-free



NOTES:

1. 参数规格: DC 20V, 5A.
2. Temperature rating:80°C  
Voltage rating:30V  
Flammability:VW-1
3. 成品100% 短路、断路、错位测试。
4. Cable: 30# (11/0.08) \*2C (白/绿) +32# (7/0.08) \*2C (黄/蓝) +23# (52/0.08) \*2C (红/红) +D (65/0.08TC) \*1C+AL/Mylar+B (16/8/0.08TC), 外被: TPE (灰白色), OD: 3.6±0.15mm, 全雾面不印字
5. 内模成型料: PP, 透明;  
Rockwell hardness: 70A;
6. Boot: PC, 白色, 高亮面;  
Faceplate: PC, 白色, 雾面。
7. DCR:Vbus 0.14ohms max, GND 0.1ohms max, D+/D- 0.7ohms max, CC/Vconn 1.0ohms max.



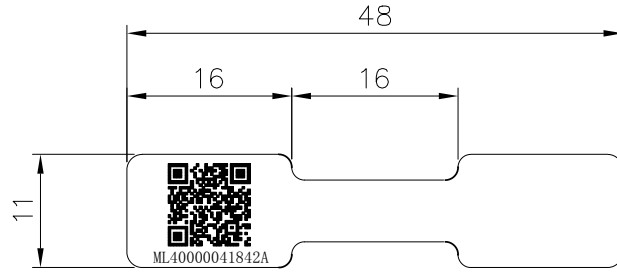
PIN ASSIGNMENT						
J1			Wire	J2		
Pin	Sinal Name	E-Mark IC	Colour	Pin	Sinal Name	
A4, B4, A9, B9	VBUS		红色*2 #23	A4, B4, A9, B9	VBUS	
A6	D+		绿色 #30	A6	D+	
A7	D-		白色 #30	B7	D-	
A5	CC		黄色 #32	A5	CC	
B5	Vconn		蓝色 #32	B5	Vconn	
A1, B1, A12, B12	GND	E-Mark IC	地线*1	A1, B1, A12, B12	GND	
Shell			编织	Shell		

12	黄胶纸	/	M	T=0.05mm W=6.1mm
11	QR码标签	1	PCS	PET, 48*11mm
10	Shell	2	PCS	SUS201, T=0.3mm
9	透明PE袋	1	PCS	单侧开口, 80*185*0.05mm
8	绕线扎带	1	PCS	L=130mm, W=25mm, T=0.25mm
7	Type C PCBA	1	PCS	24 Pin Plug, P/N:70500C24-FPKB5-21, 端子镀金30u", PCB
6	SR外模	2	PCS	TPE, 灰白色, 雾面
5	Faceplate	2	PCS	PC, 白色, 雾面
4	Boot	2	PCS	PC, 白色, 高亮面
3	内模	/	KG	PP, 透明
2	Type C PCBA	1	PCS	24 Pin Plug, P/N:70500C24-FPKB5-21, 端子镀金30u", PCB+E-Mark 1C(PD 3.0)
1	Raw Cable	/	M	30AWG*2C+23AWG*2C+32AWG*2C+E+AB+外被, 外被:TPE, 灰白色, OD=3.6mm

序号	零件名称	数量	单位	描述
UNITS: mm		GENERAL TOLERANCE		APPROVED: Healthy Huang
DATE: 11/22/18		X. ±2 .X ±2.0 .XX ±1.00		PART NO.: LC-UB09001-H
SCALE: N/A		X° ±2°		CHECKED: Healthy Huang
SHEET: 1/5		MATERIAL: N/A		TITLE: TYPE C TO C POWER CABLE
REV. A		FINISH: N/A		DRAWING: Chen Fei
		Q' TY N/A		DRAWING NO.: 830-0000-157
				Highstar
				Drapho ELECTRONICS TECHNOLOGY CO., LTD

REV.	ECN. NO.	变更内容	APPD.

RoHS/Pb-free



白底黑字,PET材质,背胶,使用树脂基碳带打印

二维码为QR码,8\*8mm

字体样式:方正悠黑508R,字体:4pt

二维条码读取内容

**PPPPPPPPPPPPPYMDSSSS**

- ① PPPPPPPPPPPPP终端客户料号(第1-13位),ML40000041842固定不变
- ② Y(第14码)表示Year(年):2017=7,2018=8...2020=0
- ③ M(第15码)表示Month(月):Jan=1...Oct.=A(1~9,A~C)
- ④ D(第16码)表示Day(日):01=1...10=A,11=B(不可打印I,O,Q,U)
- ⑤ SSSS流水编码(第17-20位):序列号(有效期为一个月,即一个月清零一次)

流水码:0000-9999

此数千位超过上限以 A-Z表示,如:A000-A001(不可打印I,O,Q,U)

- ⑥ QR码下方显示文字内容为“ML40000041842A”, A为供应商Drapho代码。

UNITS: mm	GENERAL TOLERANCE		APPROVED: Healthy Huang	PART NO. : LC-UB09001-H
DATE: 11/22/18	X. ±2 .X ±2.0 .XX ±1.00	X.* ±2°	CHECKED: Healthy Huang	TITLE: TYPE C TO C POWER CABLE
SCALE: N/A			DRAWING: Chen Fei	DRAWING NO. : 830-0000-157
SHEET: 2/5	MATERIAL: N/A	Q' TY N/A	<b>Highstar</b>	
REV. A	FINISH: N/A	⊕ ≡	<b>Drapho ELECTRONICS TECHNOLOGY CO., LTD</b>	

REV.	ECN. NO.	变更内容	APPD.

RoHS/Pb-free

1. 取1pcs纸箱及1pcs防水袋，将防水袋放置于纸箱内；



2. 在纸箱底部放置1pcs隔板，并将组装好的长、短刀卡后放入纸箱内；



3. 取4pcs产品分别放入每个蜂巢内，依次放满1层，共80pcs。  
产品二维码标签放于圈外并扫码面朝上。



4. 放满1层后，取1pcs隔板放置其上，重复item 2依次再放置2层，最上层放置1pcs隔板，并将防水袋折起，封箱。  
80pcs/层\*3层=240pcs，1箱。



二维码标签放于圈外且扫描面朝上，便于扫描。

➔

单pcs包装说明

UNITS: mm	GENERAL TOLERANCE		APPROVED: Healthy Huang	PART NO. : LC-UB09001-H
DATE: 11/22/18	X. ±2 .X ±2.0 .XX ±1.00	X.* ±2°	CHECKED: Healthy Huang	TITLE: TYPE C TO C POWER CABLE
SCALE: N/A			DRAWING: Chen Fei	DRAWING NO. : 830-0000-157
SHEET: 3/5	MATERIAL: N/A	Q' TY N/A	Highstar	
REV. A	FINISH: N/A		Drapho ELECTRONICS TECHNOLOGY CO., LTD	

REV.	ECN. NO.	变更内容	APPD.

RoHS/Pb-free

## 产品烧录程序设定，校验码为FD46(2 Port烧录器)

**FLCableProgrammer v1.0.14.0 - Unknown Project**

Project

Smart | **Config** | Firmware

**Cable Information**

Vendor ID	0x5881	XID	0x00000000	Cable Hw.Ver	0xA
Product ID	0x9001	bcd Device	0x0000	Cable Fw.Ver	0x0

Cable Setup: 0x3 : CableSetup2

Product Type: 0x3 : Passive Cable

Cable Type: 0x2 : TypeC to Type-C | 0x0 : Plug

Cable Latency: 0x2 : 10ns to 20ns (~2m)

Cable Termination Type: 0x0 : Both ends Passive, VCONN not required

Vbus Current Capability: 0x2 : 5A

USB Signaling Support: 0x0 : USB 2.0 Only

Max Cable Voltage: 0x1 : 30V

**Operation**

Read

Write

Compare

BIST Test

Cable Test

Auto Read

Auto Write

Auto Compare

Auto BIST

Auto CBT

Auto Hybrid

**Checksum**

FD46

Cable Test Type:  Full Function  USB 2.0  USB 3.0

Use Manufacturer Data  Close Cable

Manufacturer Data

Tool程序版本: V1.0.14.0

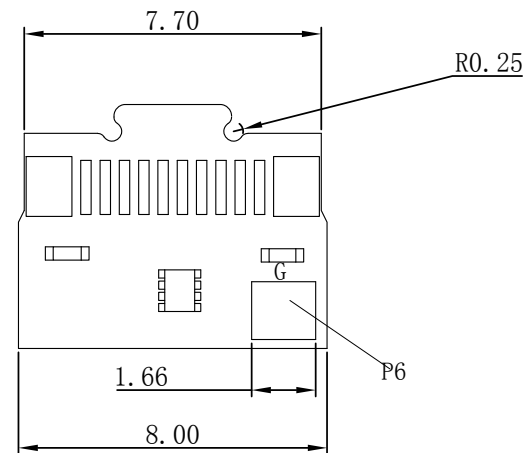
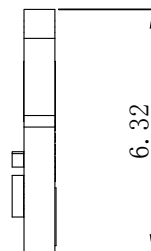
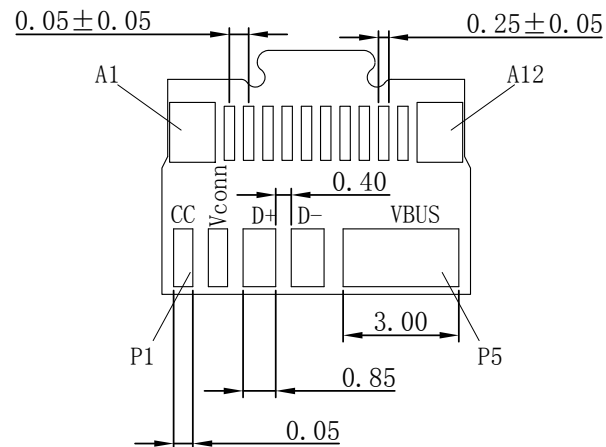
FW韧体版本: V0.1.74.1

GetVersion 0.1.74.1

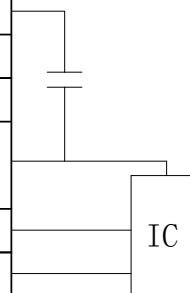
UNITS: mm	GENERAL TOLERANCE		APPROVED: Healthy Huang	PART NO. : LC-UB09001-H
DATE: 11/22/18	X. ±2 .X ±2.0	X.* ±2°	CHECKED: Healthy Huang	TITLE: TYPE C TO C POWER CABLE
SCALE: N/A	.XX ±1.00		DRAWING: Chen Fei	DRAWING NO. : 830-0000-157
SHEET: 4/5	MATERIAL: N/A	Q'TY N/A	Highstar <b>Drapho ELECTRONICS TECHNOLOGY CO., LTD</b>	
REV. A	FINISH: N/A			

REV.	ECN. NO.	变更内容	APPD.

RoHS/Pb-free



Type C Plug		PCB	
Pin	Signal Name	Signal Name	Pin
A4/A9/B4/B9	VBUS	VBUS	P5
A6	D+	D+	P3
A7	D-	D-	P4
A1/A12/B1/B12	GND	GND	P6
Shell			
A5	CC	CC	P1
B5	Vconn	Vconn	P2



Notes:

1. Rate Current:5A.
2. 100% 短断路测试.
3. PCB线材焊接pad增加过孔设计, 以加强pad保持力.
4. 材料符合ROHS标准.

4	PCB	1	PCS	T=0.80mm, FR4
3	E-Mark IC	1	PCS	Fresco FL7031-1F0, U1
2	电容C2	1	PCS	1uf /25v SMD0402, C2
1	电容C1	1	PCS	10nf /25v SMD0402, C1

序号	零件名称	数量	单位	描述
UNITS: mm	GENERAL TOLERANCE		APPROVED: Healthy Huang	PART NO. : LC-UB09001-H
DATE: 11/22/18	X. ±2 .X ±2.0 .XX ±1.00	X.* ±2°	CHECKED: Healthy Huang	TITLE: TYPE C TO C POWER CABLE
SCALE: N/A			DRAWING: Chen Fei	DRAWING NO. : 830-0000-157
SHEET: 5/5	MATERIAL: N/A	Q' TY N/A	<b>Highstar</b> <b>Drapho ELECTRONICS TECHNOLOGY CO., LTD</b>	
REV. A	FINISH: N/A			