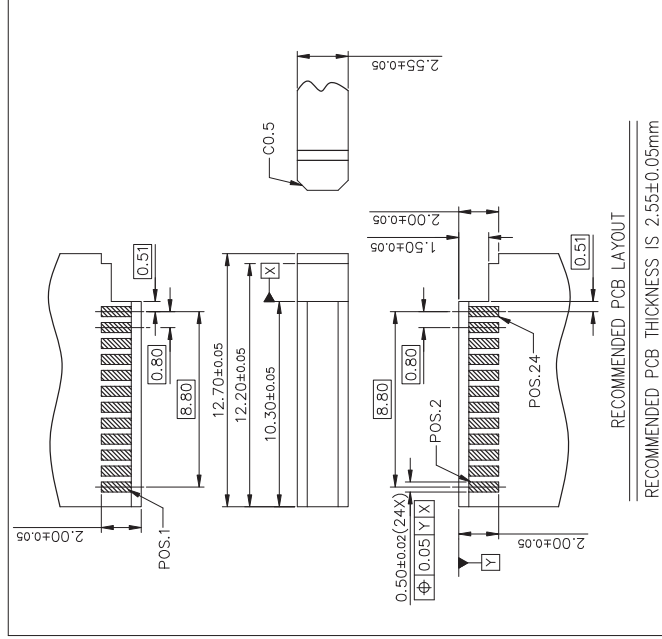
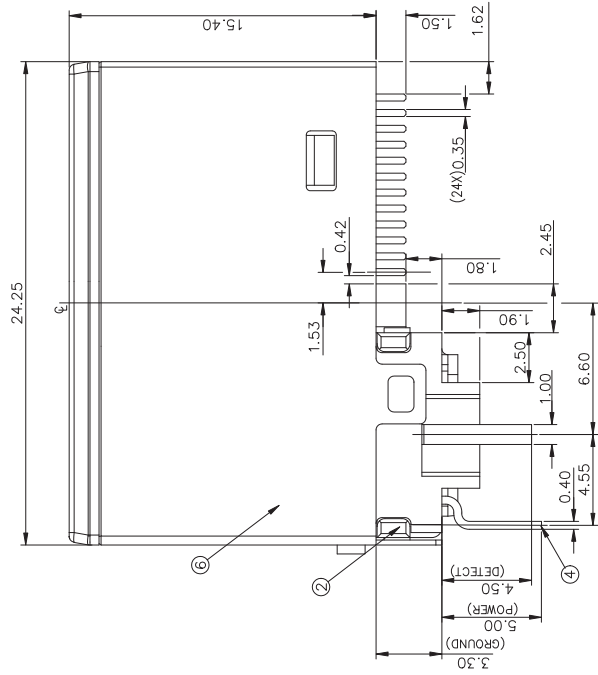
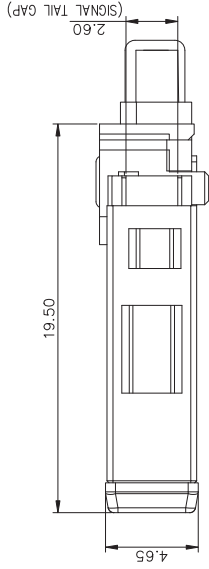
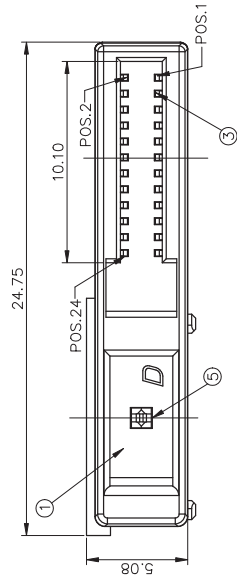
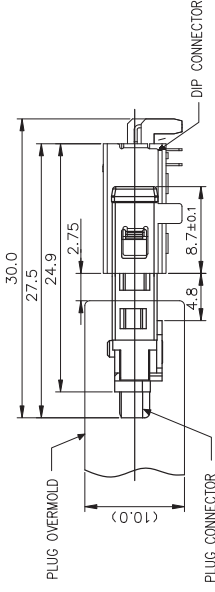


AUTOCAD GENERATED DRAWING, DON'T CHANGE BY HAND



RECOMMENDED PCB LAYOUT
RECOMMENDED PCB THICKNESS IS 2.55±0.05mm



MATING CONDITION

P J C P 029 6 - M 0 0 2 H
 C: CABLE TYPE
 P: PLUG
 029: 29 POS.
 CONTACT PLATING:
 6: 8U" GOLD MIN.
 H: HALOGEN FREE
 PACKAGE CODE
 2: TRAY
 0: EXTENSION CODE
 HOUSING COLOR
 0: YELLOW
 M: MIXED



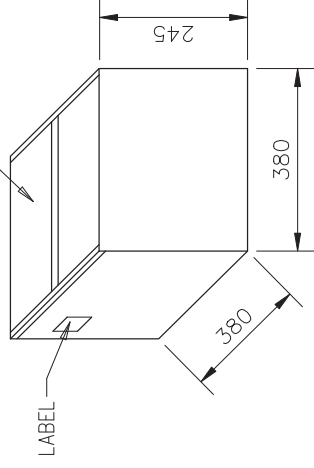
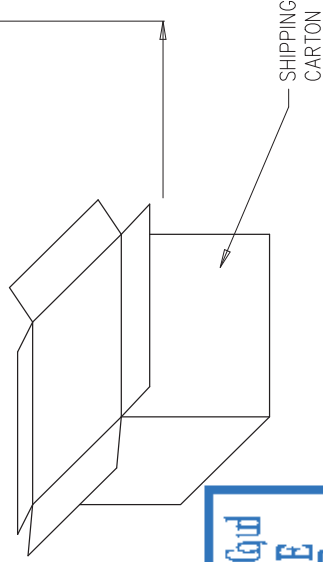
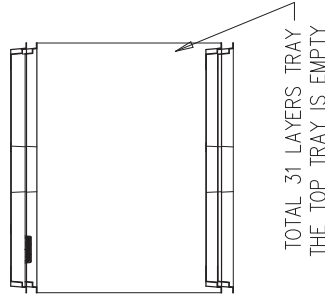
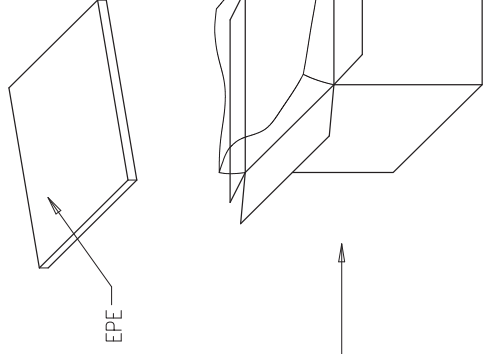
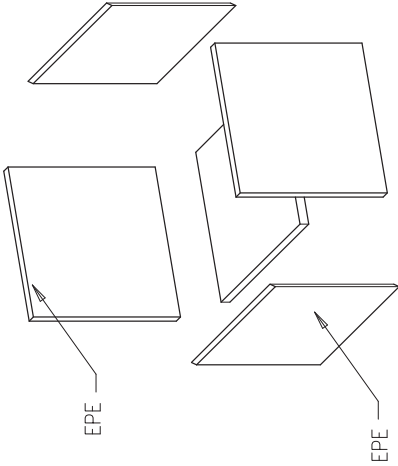
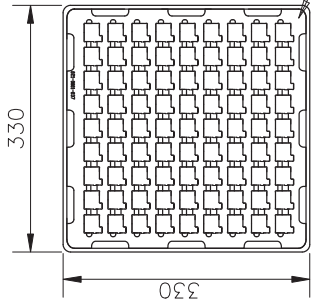
NOTES:
 1. MATERIAL: SEE TABLE
 2. ELECTRICAL PERFORMANCES:
 2-1. VOLTAGE RATINGS: 25V DC MAX.
 2-2. CURRENT RATINGS: 7A MAX PER POWER CONTACT
 0.5A MAX PER DETECT CONTACT
 2-3. LOW LEVEL CONTACT RESISTANCE:
 (1). GROUND CONTACT 7 mΩ MAX. INITIAL,
 10mΩ MAX. FINAL
 (2). DETECT CONTACT 10 mΩ MAX. INITIAL,
 ΔR=10mΩ MAX. FINAL
 (3). POWER CONTACT 7 mΩ MAX. INITIAL,
 ΔR=10mΩ MAX. FINAL
 2-4. INSULATION RESISTANCE: 500 MΩ MIN.
 ΔR=10mΩ MAX. FINAL
 2-5. DIELECTRIC WITHSTANDING VOLTAGE:
 SUBJECT A VOLTAGE OF 100V AC rms FOR 1
 MINUTE BETWEEN ADJACENT CONTACTS
 3. MECHANICAL PERFORMANCES:
 3-1. MATING FORCE: 3.0Kgf MAX.
 3-2. UNMATING FORCE: 1Kgf MIN.
 3-3. DURABILITY: 5000 CYCLES.
 4. G.P PASSED ACCORD WITH RoHS STANDARD.
 5. SEQUENCE REQUIREMENT:
 GROUND -> POWER -> SIGNAL

⑥	SHELL	COPPER ALLOY	50μ"MIN. SOLDERABLE NICKEL OVER ALL	REMARK
⑤	DETECT CONTACT	COPPER ALLOY	8μ"MIN. GOLD PLATING ON CONTACT AREA 50μ"MIN. MATTEIN PLATING ON SOLDER AREA 50μ"MIN. NICKEL UNDERPLATED OVER ALL	
④	POWER CONTACT	COPPER ALLOY		
③	SIGNAL CONTACT			
②	COVER	HIGHTEMP-PLASTIC		
①	HOUSING		UL94V-0	
ITEM NAME		MATERIAL	FINISH	REMARK
GENERAL TOLERANCE		APPROVE: Fan Fang	PART NO.: P J C P 0296 - M 002H	
DATE: 05/08/13	X: ±0.50	CHECKED: Walker Zhao	TITLE: CUSTOMER DRAWING	
SCALE: N/A	X: ±0.30	DRAWING: Mike.Wu	DRAWING NO.: 820-0000-037	
SHEET: 1/2	X: ±0.20	MATERIAL: QTY		
REV. A	X: ±0.10	FINISH:		



Dapho ELECTRONICS TECHNOLOGY CO., LTD
Highstar

AUTOCAD GENERATED DRAWING, DON'T CHANGE BY HAND



TRANSPARENT SEAL TAPE

LABEL



NOTES:

1. PACKING CAPACITY:

PCS/TRAY	TRAY/BOX	PCS/BOX
81	30	2430

UNITS:	GENERAL TOLERANCE		MATERIAL:	Q'TY
mm	X:	X':		
DATE: 05/08'13	±0.30	X: ±5°	PET	⊕
SCALE: N/A	.X ±0.20	.X' ±3°		
	.XX ±0.15	.XX' ±2°		
SHEET: 2/2	SHEET:		MATERIAL:	Q'TY
REV. A	REV. A			

APPROVE:	PART NO.:
CHECKED:	PJCP0296-M002H
DRAW:	TITLE: CUSTOMER DRAWING
	DRAWING NO.:
	820-0000-037



Dapho ELECTRONICS TECHNOLOGY CO., LTD

