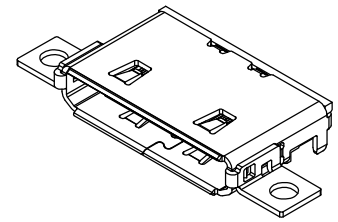
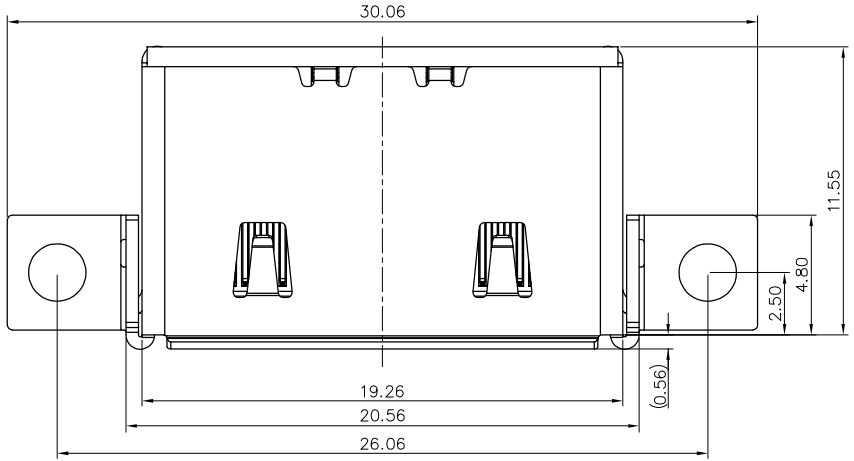


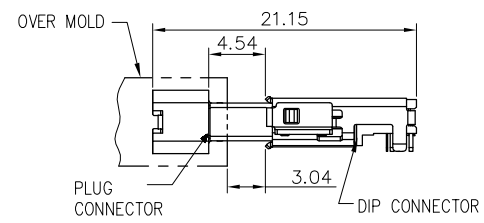
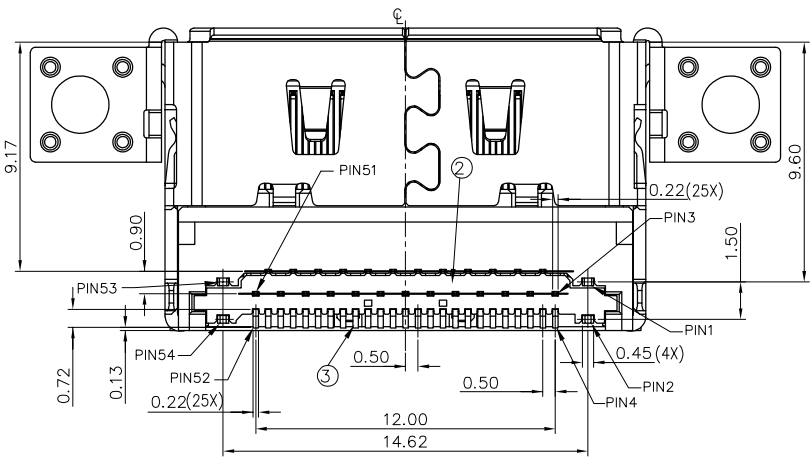
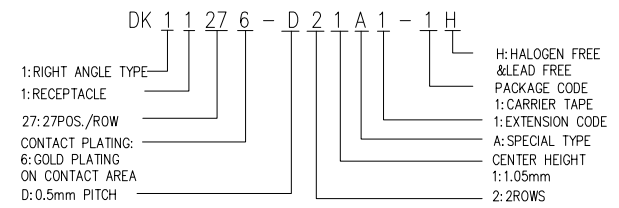
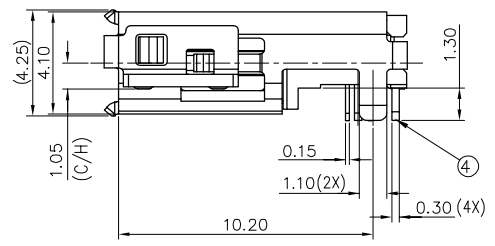
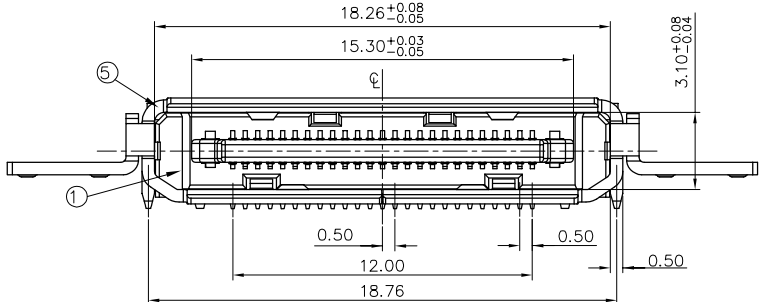
AUTOCAD GENERATED DRAWING, DON'T CHANGE BY HAND

Dapho Electronics Technology Co., Ltd  
**DCC ISSUE**  
 2015.09.21  
 文管发行

REV.	ECN. NO.	APPD.
A	ECN150327001	Fan Fang
B	ECN150822011	Fan Fang



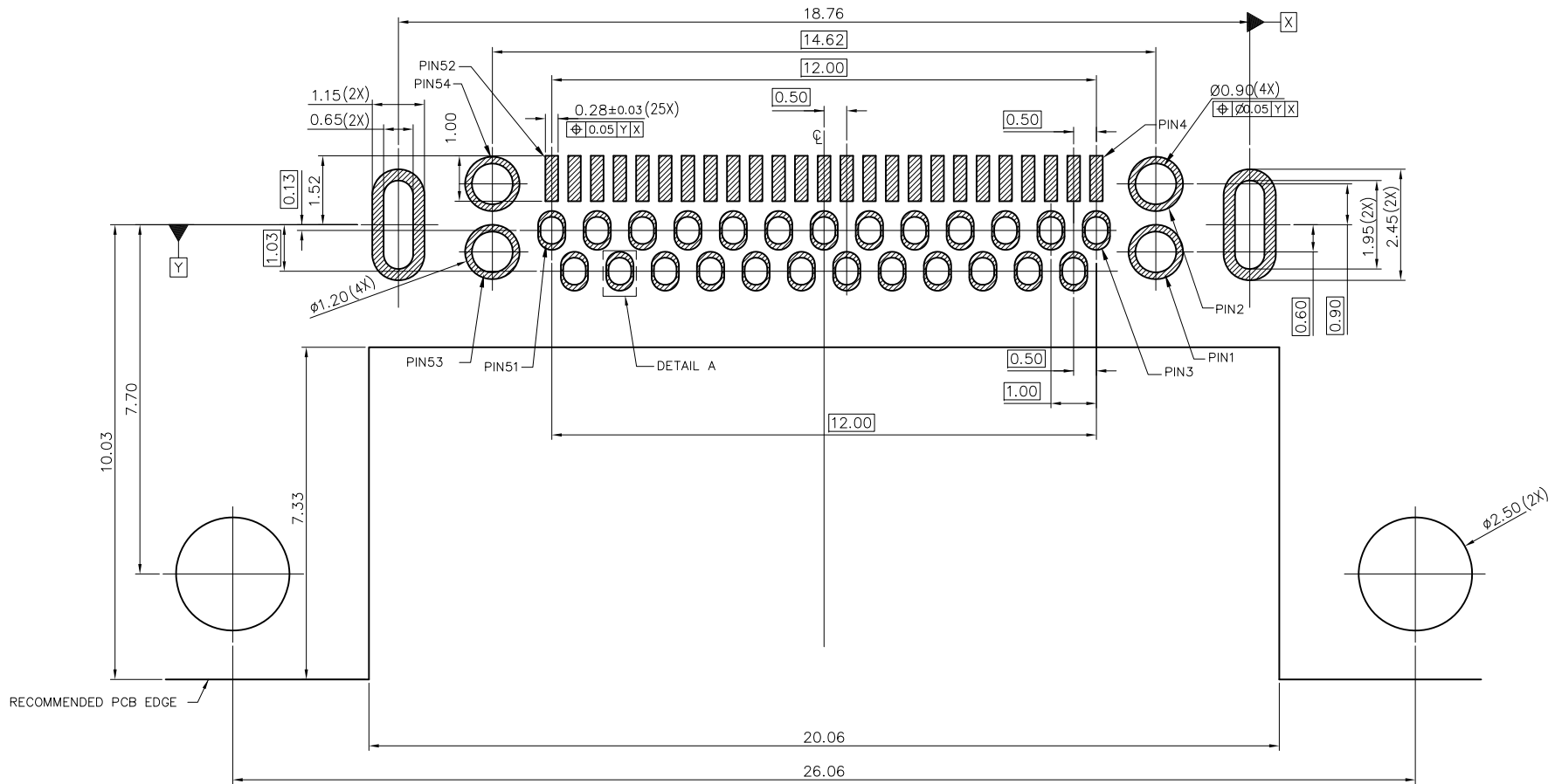
- NOTES:
- MATERIAL: SEE TABLE.
  - ELECTRICAL PERFORMANCES:
    - VOLTAGE RATING: 25V DC MAX.
    - CURRENT RATING: 5A MAX PER POWER CONTACT  
1.0A MAX PER SIGNAL CONTACT
    - LOW LEVEL CONTACT RESISTANCE:
      - POWER CONTACT 30 mΩ MAX. INITIAL, ΔR=30mΩ MAX, FINAL.
      - SIGNAL CONTACT 120 mΩ MAX. INITIAL, ΔR=30mΩ MAX, FINAL.
    - INSULATION RESISTANCE: 500 MΩ MIN.
    - DIELECTRIC WITHSTANDING VOLTAGE: SUBJECT A VOLTAGE OF 100V AC FOR 1 MINUTE BETWEEN ADJACENT CONTACTS;
  - MECHANICAL PERFORMANCES:
    - MATING FORCE: 3.0Kgf MAX.
    - UNMATING FORCE: 0.7~3.0Kgf.
    - DURABILITY: 10000 CYCLES.
  - G.P PASSED ACCORD WITH RoHS STANDARD.
  - THE TOLERANCE FOR ALL TAIL WIDTH IS ±0.05mm AND THICKNESS IS ±0.02mm.
  - CONTACT SEQUENCE:  
GROUND -> SIGNAL -> POWER.



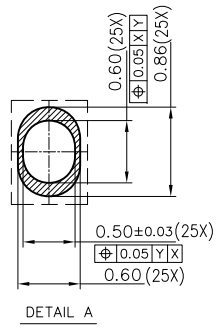
⑤	SHELL	STAINLESS STEEL	SOLDERABLE NICKEL PLATING OVER ALL.	
④	POWER CONTACT	COPPER ALLOY	GOLD PLATING ON CONTACT AREA, MATIETIN PLATING ON SOLDER AREA, NICKEL UNDERPLATED OVER ALL.	
③	SIGNAL CONTACT			
②	SPACER	HIGHTEMP-PLASTIC		
①	HOUSING		UL94V-0	
ITEM	NAME	MATERAIL	FINISH	REMARK

UNITS: mm	GENERAL TOLERANCE	APPROVED: Fan Fang	PART NO.: DK11276-D21A1-1H
DATE: 08/22/15	X. ±0.50 X.* ±5°	CHECKED: Mike Wu	TITLE: CUSTOMER DRAWING
SCALE: N/A	.X ±0.30 .X* ±3°	DRAWING: Carey Wang	DRAWING NO.: 820-0000-095
SHEET: 1/3	MATERIAL: Q'TY	<b>Highstar</b> Drapho ELECTRONICS TECHNOLOGY CO., LTD	
REV. B	FINISH:		

REV.	ECN. NO.	APPD.



RECOMMENDED PCB EDGE

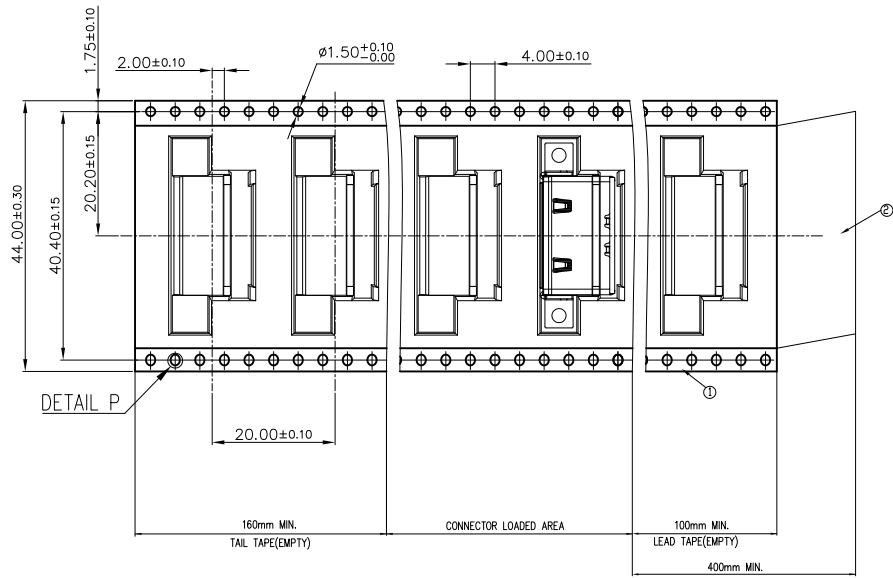


RECOMMENDED PCB LAYOUT  
PCB THICKNESS 1.0±0.05mm

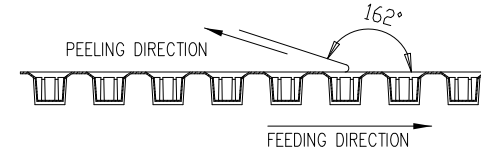


UNITS: mm	GENERAL TOLERANCE	APPROVED: Fan Fang	PART NO.: DK11276-D21A1-1H
DATE: 08/22/15	X. ±0.20 .X ±0.10 .XX ±0.05	X.* ±2* .X* ±1*	CHECKED: Mike Wu
SCALE: N/A		DRAWING: Carey Wang	TITLE: CUSTOMER DRAWING
SHEET: 2/3	MATERIAL:	Q'TY	DRAWING NO.: 820-0000-095
REV. B	FINISH:		<b>Highstar</b> Drapho ELECTRONICS TECHNOLOGY CO., LTD

REV.	ECN. NO.	APPD.

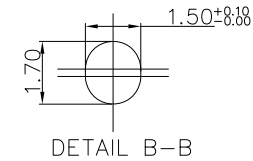
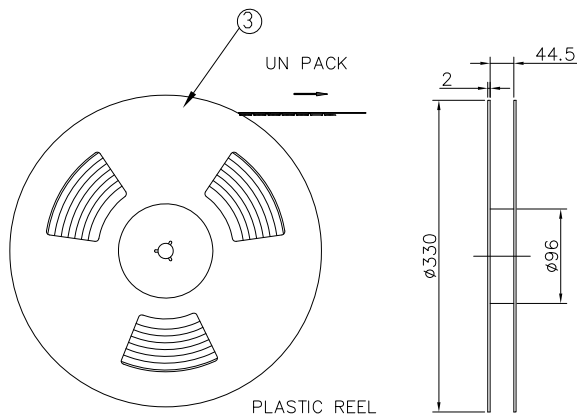


NOTES:  
 1.10 PITCHES CUMULATIVES TOLERANCE ON TAPE IS  $\pm 0.20$ mm;  
 2. COVER TAPE PEELING STRENGTH : 0.13Kgf MAX. AT 300mm/MINUTE;



3.PACKAGING CAPACITY:

P/N	PCS/REEL	REEL/BOX	PCS/BOX
DK11276-D21A1-1H	500	3	1500



Dapho Electronics Technology Co., Ltd  
**DCC ISSUE**  
 2015.09.21  
 文管发行

③	REEL	POLYSTYRENE
②	COVER TAPE	POLYSTER
①	CARRIER TAPE	POLYSTYRENE
ITEM	DESCRIPTION	MATERIAL

UNITS: mm	GENERAL TOLERANCE	APPROVED: Fan Fang	PART NO.: DK11276-D21A1-1H
DATE: 08/22/15	X. ±0.50 X. ±0.30 2:1 XX ±0.20	CHECKED: Mike Wu	TITLE: CUSTOMER DRAWING
SHEET: 3/3	MATERIAL: Q'TY	DRAWING: Carey Wang	DRAWING NO.: 820-0000-095
REV. B	FINISH:	<b>Highstar</b> Drapho ELECTRONICS TECHNOLOGY CO., LTD	