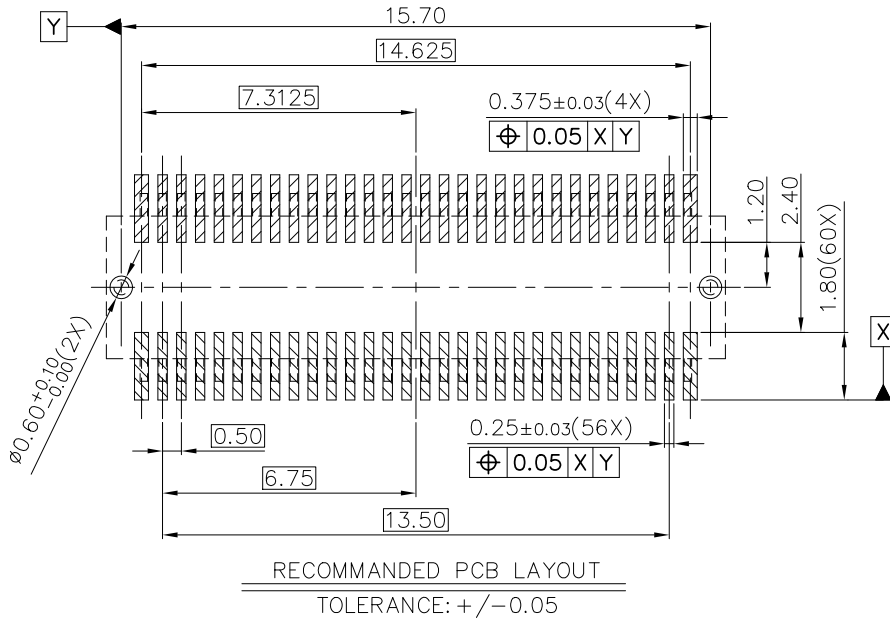
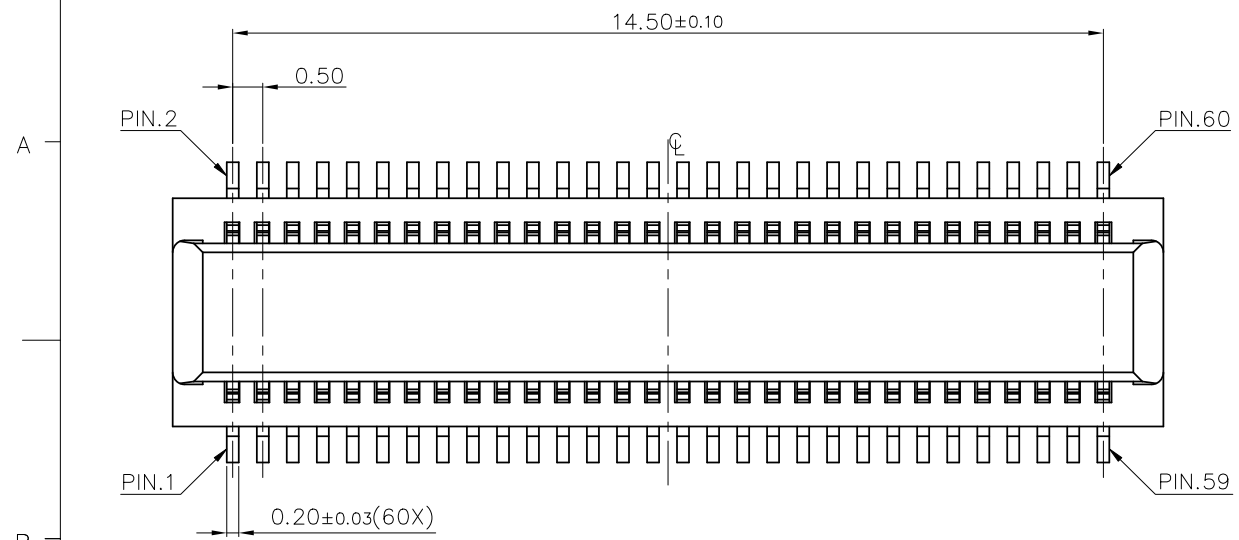


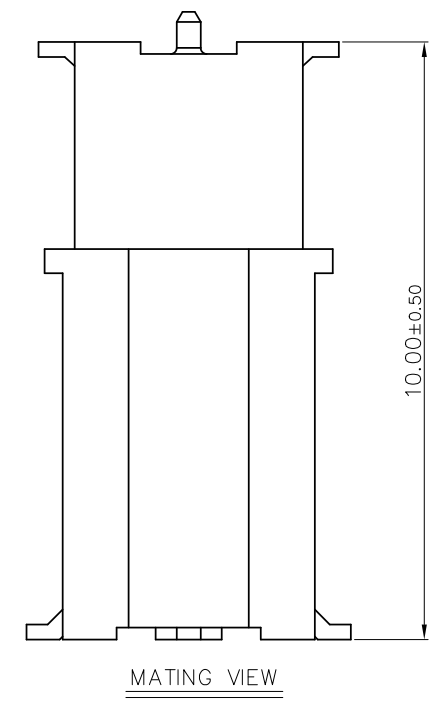
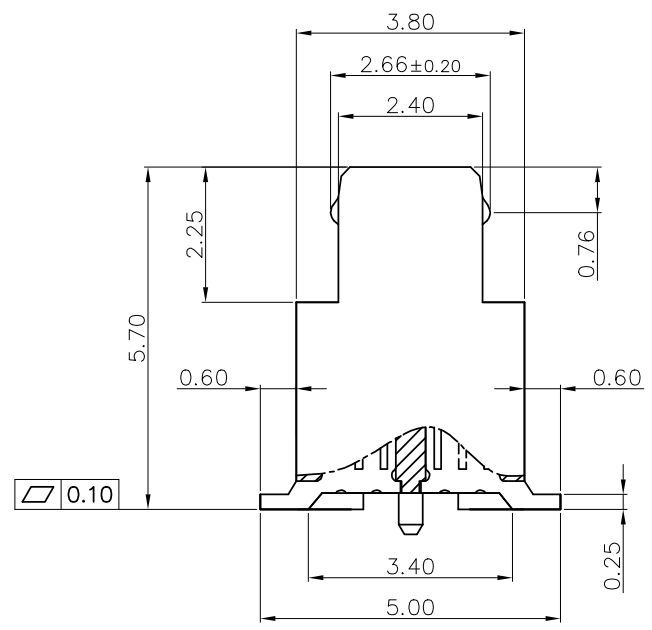
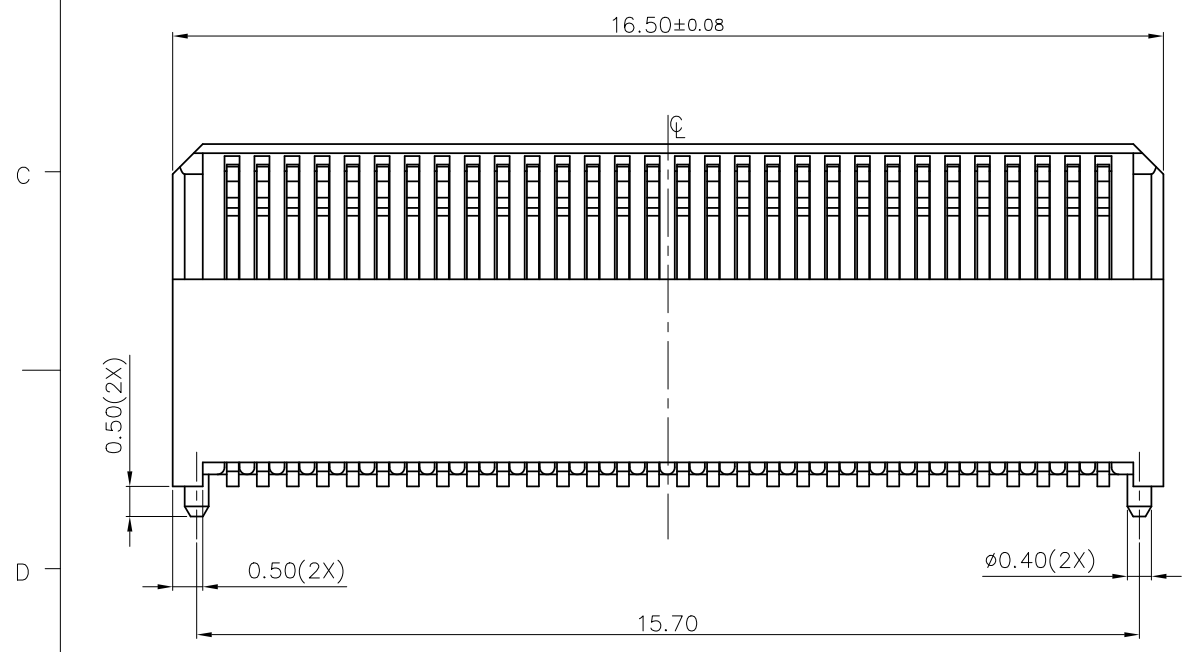
AUTOCAD GENERATED DRAWING,DON'T CHANGE BY HAND

RoHS HF

REV.	ECN. NO.	APPD.
A	ECN180117012	Darren Lei
B	ECN180312012	Darren Lei
C	ECN190301004	Fan.Fang



- NOTES:
- 1.DIMENSION SHALL BE INTERPRETED PER ASME Y14.5M-1994.
 - 2.ELECTRICAL CHARACTERISTICS
 - 2.1 RATED CURRENT: 0.4A MAX.;
 - 2.2 CONTACT RESISTANCE: 75 mOHMS MAX.;
 - 2.3 INSULATION RESISTANCE: 1000 MOHMS MIN.;
 - 2.4 WITHSTANDING VOLTAGE: 500 VAC FOR 1 MINUTE MIN.;
 - 3.MECHANICAL CHARACTERISTICS
 - 3.1 DURABILITY: 50 CYCLES
 - 3.2 VIBRATION: PASSED MIL-STD-202F,METHOD 201.
 - 3.3 SHOCK: PASSED MIL-STD-202F,METHOD 107D,CONDITION A.
 - 4.ENVIRONMENT CHARACTERISTICS
 - OPERATION TEMPERATURE RANGE: -25°C TO +85°C .
 - 5.PLEASE CONTACT DRAPHO SALES REPRESENTATIVE TO VERIFY PRODUCT DETAILS & AVAILABILITY.
 - 6.HARMFUL MATERIAL CONTROL SHOULD MEET "DQSP2014".



BT 5 S ** *- 57 000- 1 H

5: 0.50PITCH
S: RECEPTACLE
POS NO: 60: 60POS

HALOGEN FREE
PACKAGE CODE:
1: TAPE REEL

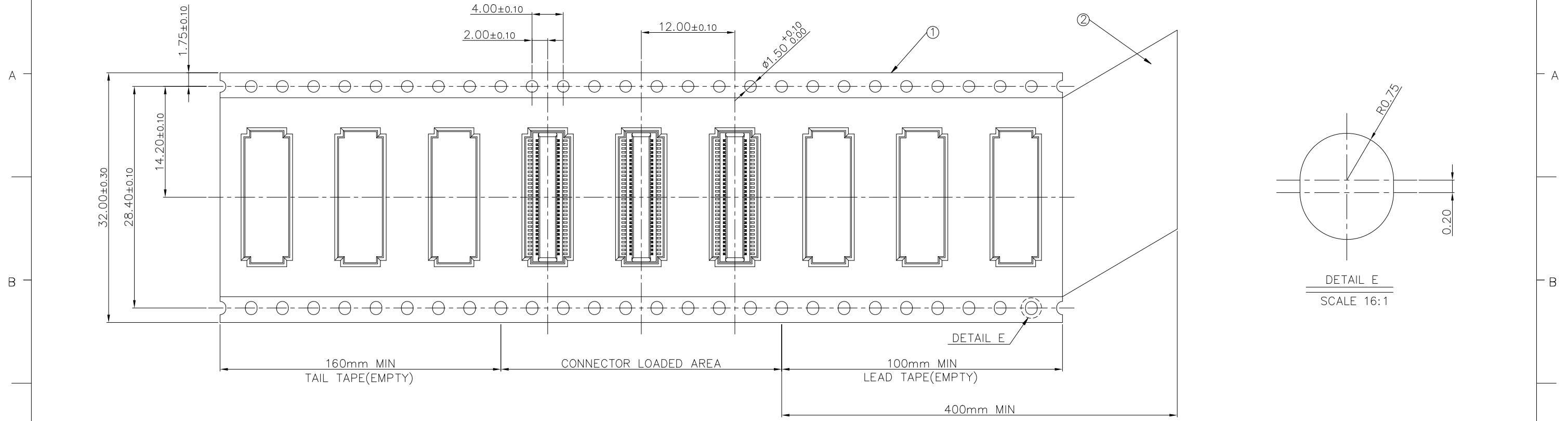
CONTACT AREA PLATING
1: 1u"MIN GOLD PLATING
4: 4u"MIN GOLD PLATING

PROFILE HEIGHT
H=5.7mm

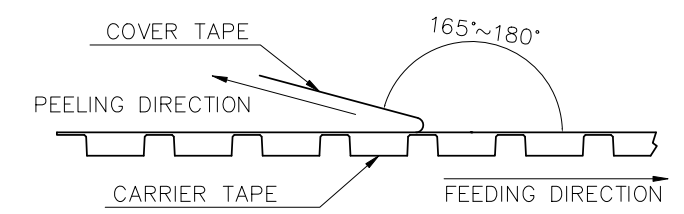
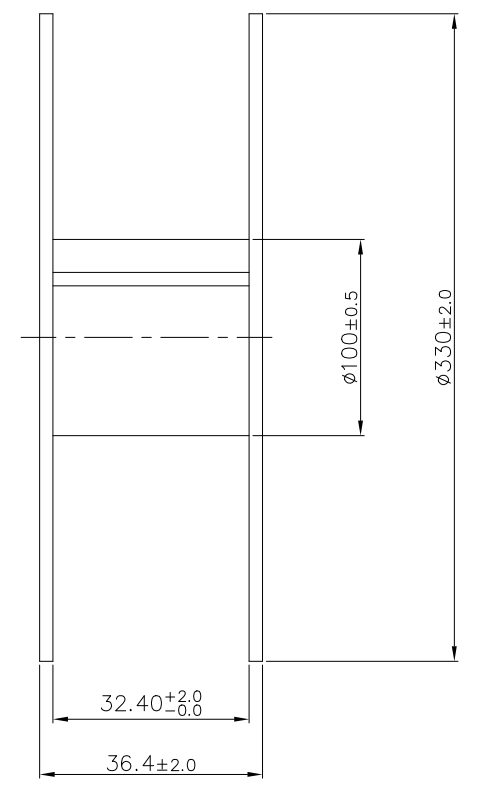
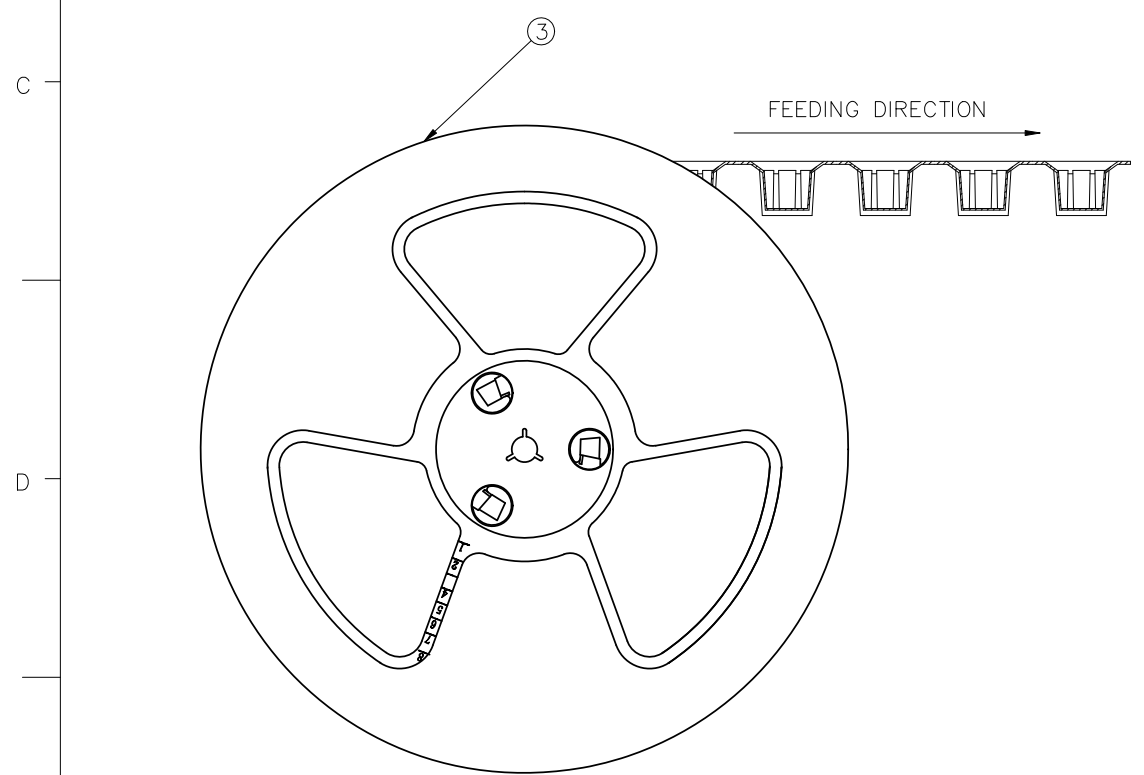
60	CONTACT	PHOS-BRONZE	50u" MIN. NICKEL UNDER PLATING; 1u"MIN GOLD PLATING ON CONTACT AREA; 0.3u"MIN GOLD FLASH ON SOLDER AREA;
1	HOUSING	THERMOPLASTIC	UL94V-0,BLACK
Q'TY	DESC.	DESC.	FINISH
UNITS: mm	GENERAL TOLERANCE		APPROVE: Fan.Fang
DATE: 03/01'19	X. ±0.50 .X ±0.30 .XX ±0.20	X.* ±2.00° .X.* ±1.50° .XX.* ±1.00°	CHECKED: Wes.Wu
SCALE: 8:1			DRAW: Beal.Bao
SHEET: 1/2	MATERIAL: N/A	Q'TY N/A	PART NO.(INTENDED USE) BT5S601-57000-1H TITLE:CUSTOMER DRAWING FOR 0.5P 60POS BTB REC. DRAWING NO.: 820-0000-0651
REV.: C	FINISH: SEE TABLE	⊕	
			Highstar Drapho ELECTRONICS TECHNOLOGY CO., LTD

RoHS HF

REV.	ECN. NO.	APPD.



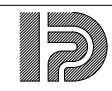
- NOTES:
 1. 10 POKETS HOLE PITCH CUMULATIVE TOLERANCE $\pm 0.20\text{mm}$.
 2. COVER TAPE PEELING STRENGTH : 0.01~0.13 Kgf AT 300mm/min.



3. PACKAGING CAPACITY:

POS.NO.	PCS/REEL	REEL/BOX	PCS/BOX
60	700	5	3500

ITEM	DESCRIPTION	MATERIAL
③	REEL	POLYSTYRENE
②	COVER TAPE	POLYSTER
①	CARRIER TAPE	POLYSTYRENE

UNITS: mm	GENERAL TOLERANCE	APPROVE: Fan.Fang	PART NO.(INTENDED USE) BT5S601-57000-1H
DATE: 1/25'19	X. ± 0.50 .X ± 0.30 .XX ± 0.20	X.* $\pm 2.00^\circ$.X* $\pm 1.50^\circ$.XX* $\pm 1.00^\circ$	CHECKED: Wes.Wu
SCALE: 2:1			TITLE:CUSTOMER DRAWING FOR 0.5P 60POS BTB REC.
SHEET: 2/2	MATERIAL: N/A	Q'TY N/A	DRAW: Beal.Bao
REV.: C	FINISH: SEE TABLE	⊕	DRAWING NO.: 820-0000-0651
		 Highstar Drapho ELECTRONICS TECHNOLOGY CO., LTD	