

AUTOCAD GENERATED DRAWING,DON'T CHANGE BY HAND

RoHS HF

REV.	ECN. NO.	APPD.
A	ECN191011006	River Yao
B	ECN191224006	River Yao
C	ECN200628012	River Yao
D	ECN200817021	Mike.Wu

NOTE:

1.ELECTRIOAL CHARACTERISTICS:

1-1.LOW LEVEL CONTACT RESISTANCE (DRY CIRCUIT):

20 MILLIOHMS MAX.INITIAL.

1-2.VOLTAGE RATING:30V DC

1-3.CURRENT RATING: 7.0A.MAX.

PER CONTACT.

1-4.DIELECTRIC WITHSTANDING VOLTAGE: 500VAC AT SEA LEVEL.

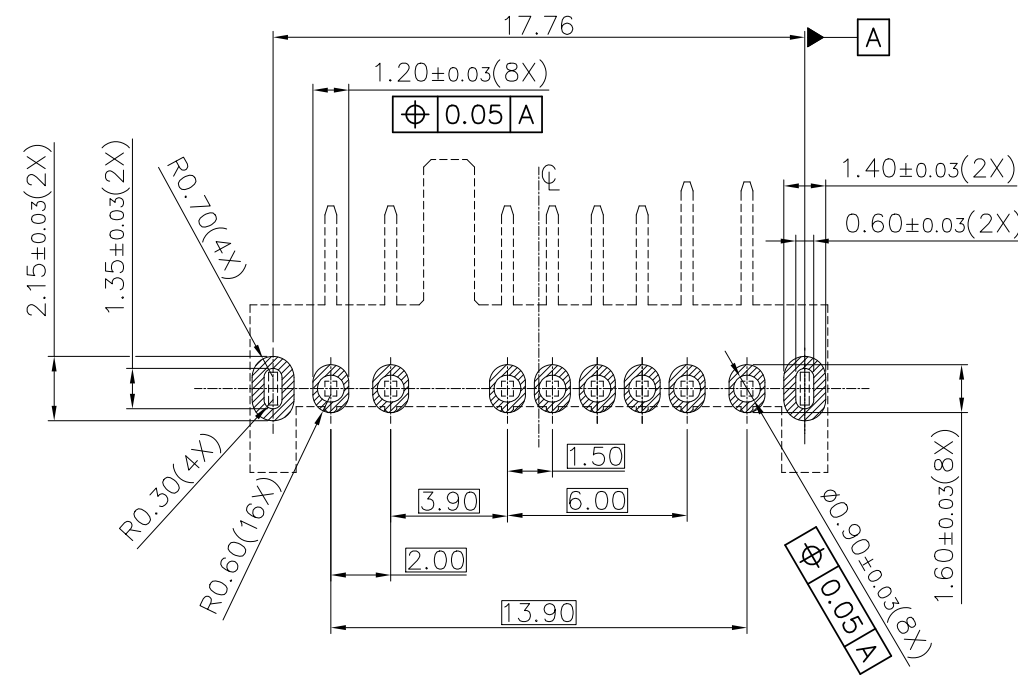
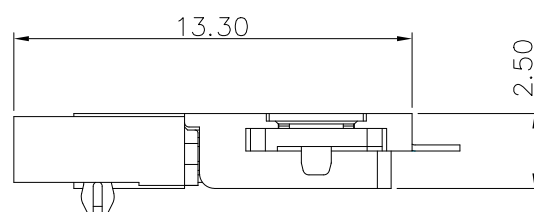
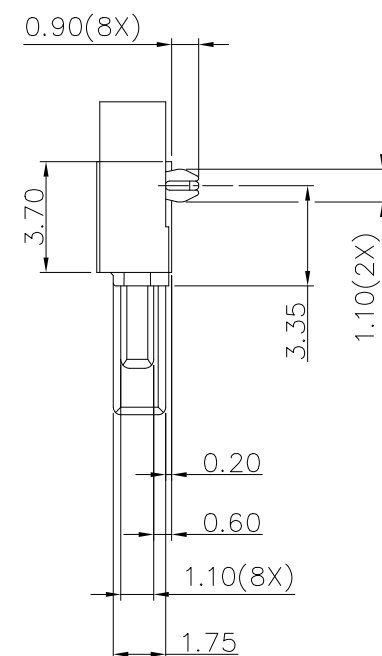
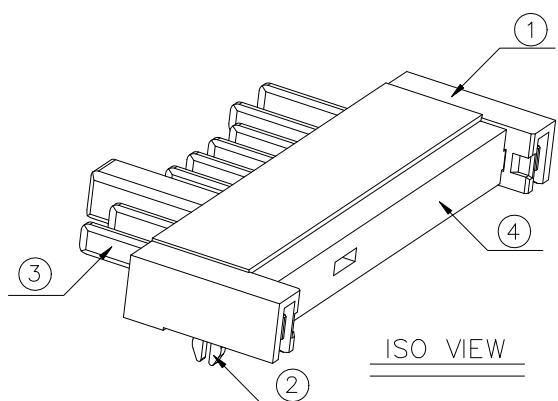
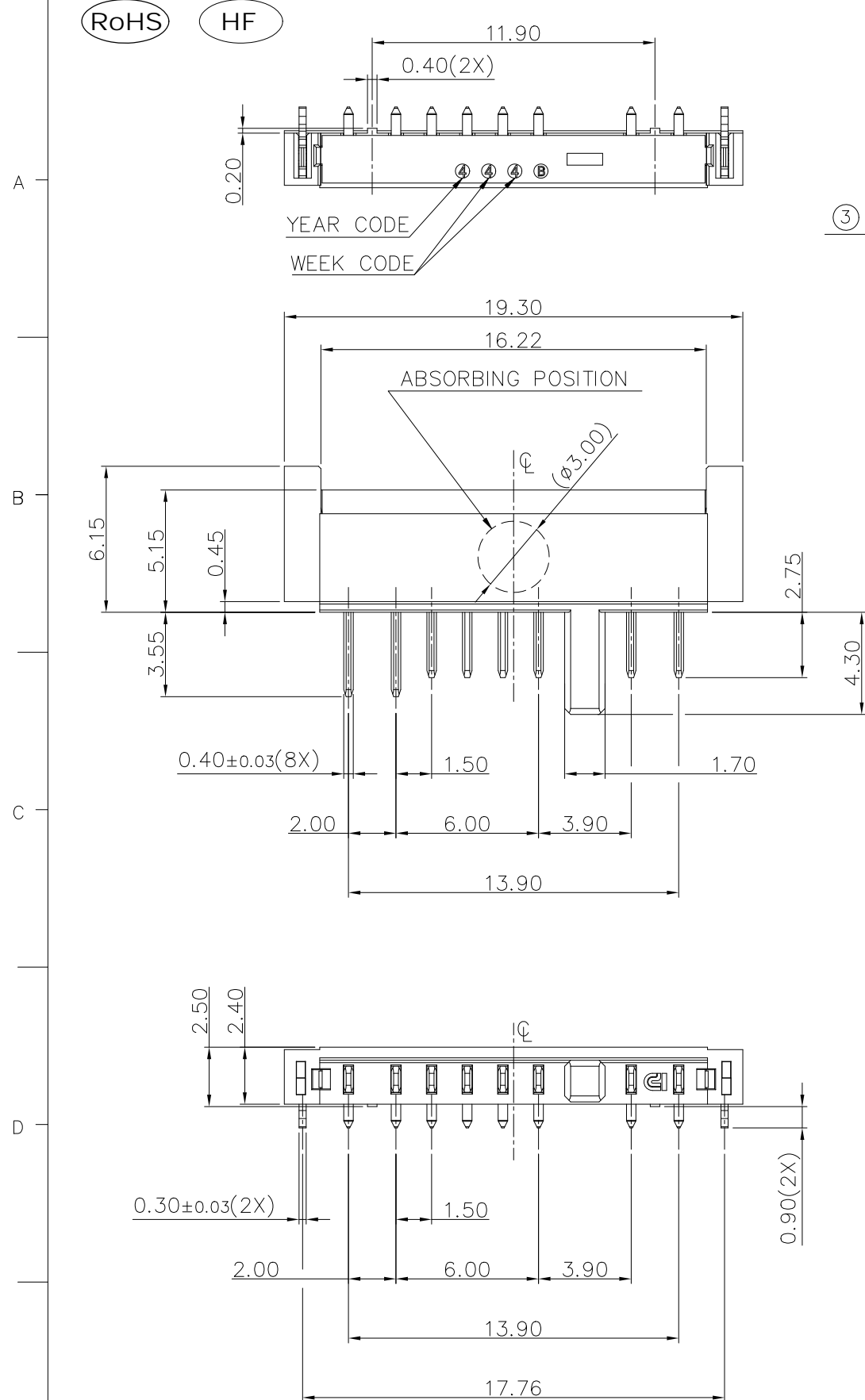
1-5.INSULATION RESISTANCE:100 MEGAOHMS MIN INITIAL.

2.MECHANICAL:

DURABILITY (MATING/UNMATING CYCLES):5000 CYCLES.

3. OPERATING TEMPERATURE : -40°C TO 85°C.

4. HARMFUL MATERIAL CONTROL MEET DQSP2014.



RECOMMENDED PCB LAYOUT
TOLERANCE +/-0.03mm

PART NO.
BY5308*-S0254-1 H

BATTERY CONN
PITCH: 5=1.50mm
POS.NO 08=8POS

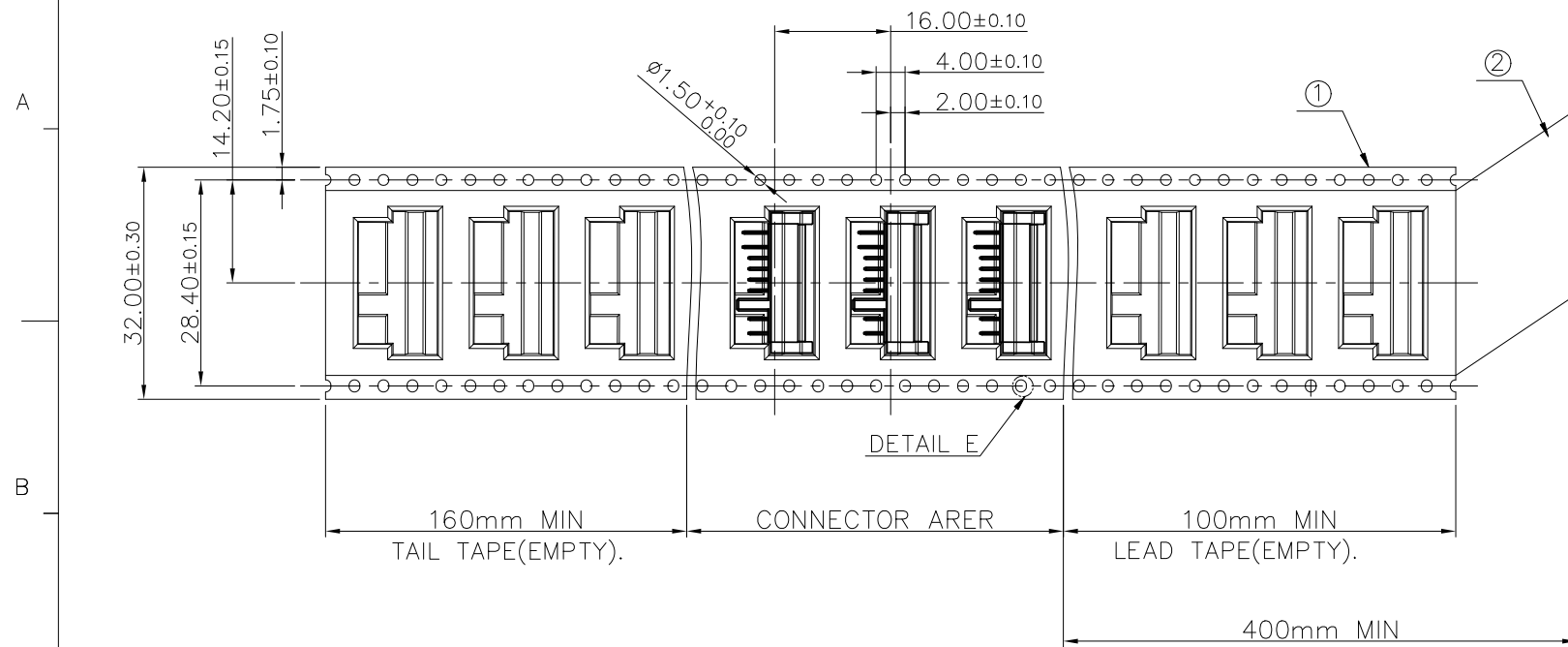
HALOGEN& LEAD FREE
PACKAGE CODE 1: CARRIER TAPE
PROFILE HEIGHT: 25=2.50mm

CONTACT AREA PLATING:
5=5u" MIN. GOLD PLATING
6=8u" MIN. GOLD PLATING

ITEM NO.	NAME	MATERAIL	FINISH	Q'TY
④	COVER	HIGHTEMP-PLASTIC	UL94V-0, BLACK	1
③	CONTACT	COPPER ALLOY	50u"MIN NICKEL UNDER PLATING 50u"MIN MATTE TIN PLATING ON SOLDER AREA **u"MIN GOLD PLATING ON CONTACT AREA	8
②	HOOK	COPPER ALLOY	50u"MIN.NICKEL UNDER PLATING 50u"MIN. MATTE TIN PLATING ON SOLDER AREA,	2
①	HOUSING	HIGHTEMP-PLASTIC	UL94V-0, BLACK	1

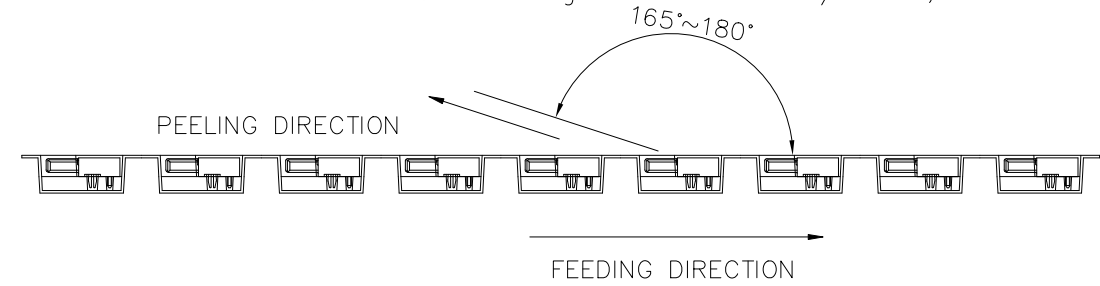
UNITS:	GENERAL TOLERANCE	APPROVE:	PART NO.(INTENDED USE)
mm		Mike.Wu	BY5308*-S0254-1H
DATE:	X. ±0.30 .X ±0.20 .XX ±0.15	CHECKED:	TITLE: CUSTOMER DARAWING FOR
08/19'20	X.* ±5.00* .X.* ±3.00* .XX* ±2.00*	Wes.Wu	1.5P 2.5mmH BATTERY PLUG CONN
SCALE:		DRAW:	DRAWING NO.:
N/A		Beal.Bao	820-0000-0813
SHEET:	MATERIAL:	Q'TY	
1/2	SEE TABLE	N/A	
REV.:	FINISH:		
D	SEE TABLE		

RoHS HF



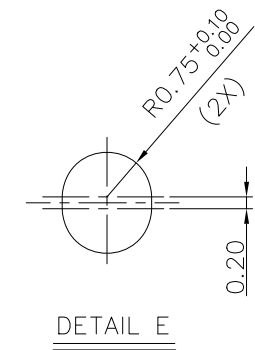
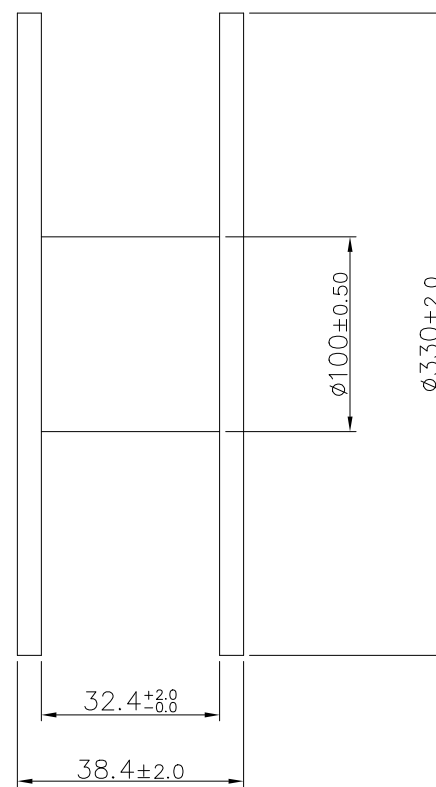
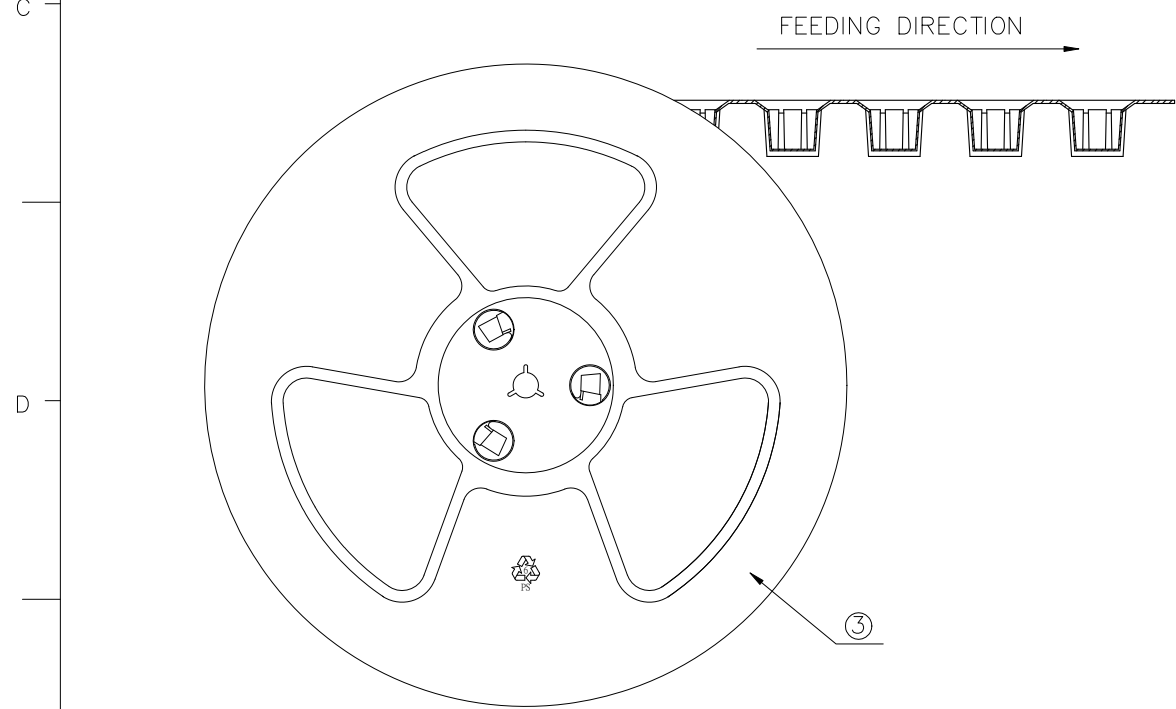
NOTES:

- 1.10 PITCHES CUMULATIVES TOLERANCE ON TAPE IS +/-0.20mm;
- 2.COVER TAPE PEELING STRENGTH :0.13Kgf MAX. AT 300mm/MINUTE;




3.PACKAGING CAPACITY:

P/N	PCS/REEL	REEL/BOX	PCS/BOX
BY53085-S0254-1H	950	5	4750
BY53086-S0254-1H	950	5	4750



ITEM	DESCRIPTION	MATERIAL
③	REEL	POLYSTYRENE
②	COVER TAPE	POLYSTER
①	CARRIER TAPE	POLYSTYRENE

UNITS: mm	GENERAL TOLERANCE		APPROVE: Mike.Wu	PART NO.(INTENDED USE) BY5308*-S0254-1H
DATE: 08/19'20	X. ±0.30 .X ±0.20 .XX ±0.15	X.* ±5.00* .X.* ±3.00* .XX.* ±2.00*	CHECKED: Wes.Wu	TITLE: CUSTOMER DARAWING FOR 1.5P 2.5mmH BATTERY PLUG CONN
SCALE: N/A			DRAW: Beal.Bao	DRAWING NO.: 820-0000-0813
SHEET: 2/2	MATERIAL: SEE TABLE	Q'TY N/A	 Highstar Drapho ELECTRONICS TECHNOLOGY CO., LTD	
REV.: D	FINISH: SEE TABLE	